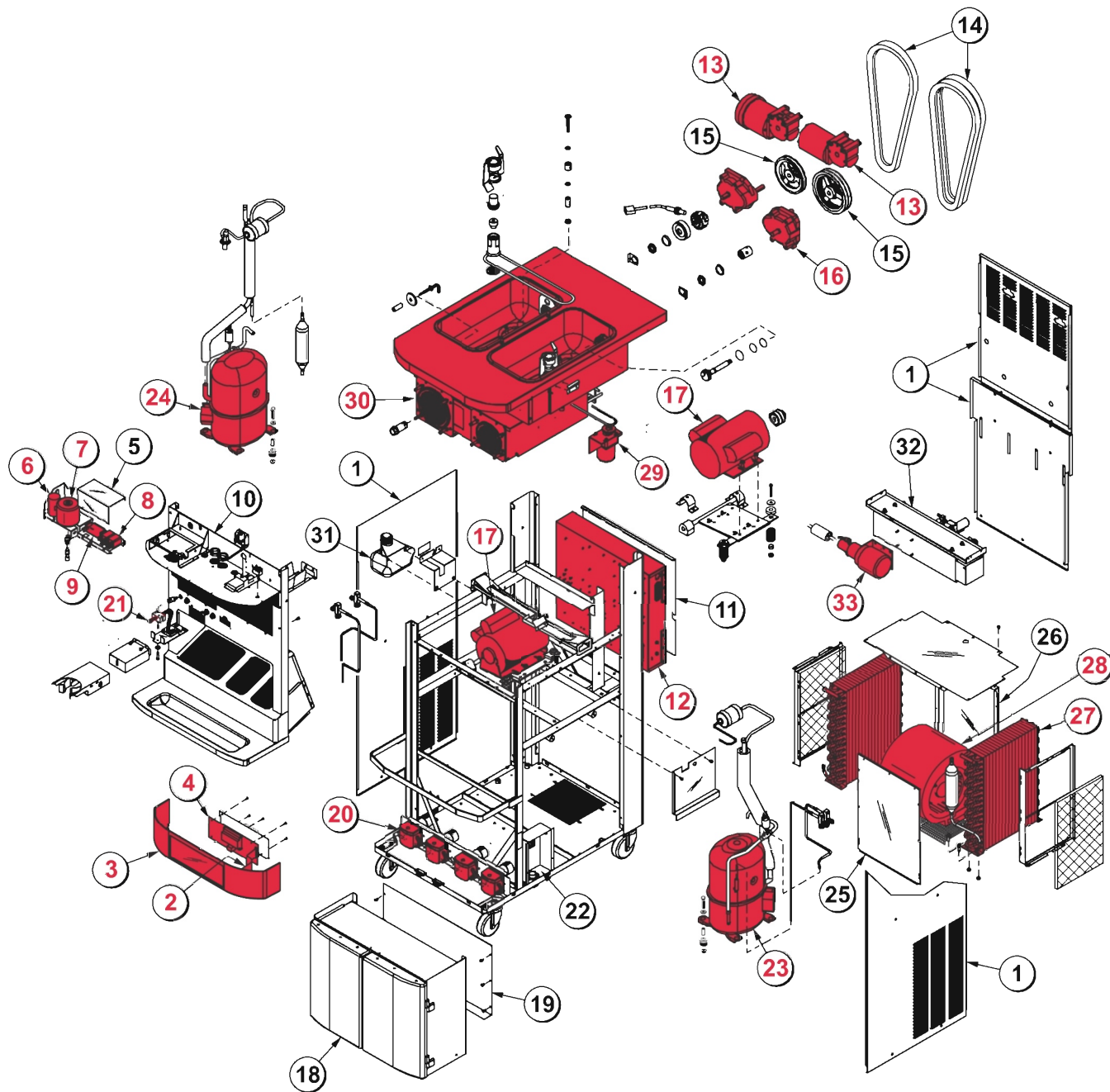


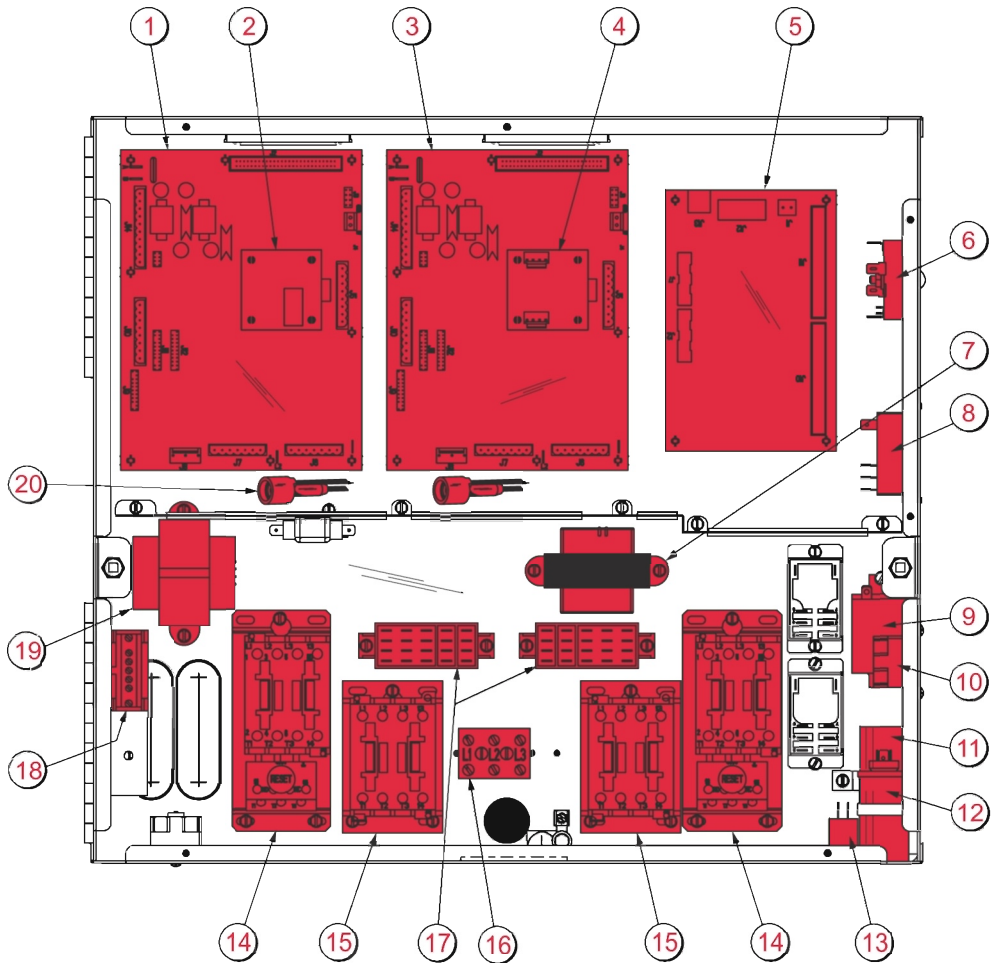
# Combination Soft Serve/Shake Machine



**Please note:** This recycle instruction is representative of a combination shake and soft serve unit. Other units may vary, but key components are comparable.

ITEM	DESCRIPTION	REMOVAL INSTRUCTIONS
	*	Before disassembly reclaim all gas, refrigerants, fluids, and oils from the system and return to appropriate collection facility.
1	All Panels / Front/Rear/Sides	Remove all screws and drip trays. Remove all panels.
2, 3, 4	Dec Plate Assembly	Remove the 4 screws and unplug the 2 attached wire harnesses.
5	Guard Rectifier	Remove the 2 screws holding the cover that protects the rectifier board and the 2 relays.
6	Solenoid - Draw Valve	Remove the 2 nuts, the 1 bumper screw, and the wire harness.
7	Motor A. Spinner	Remove the 4 screws connecting to the bracket and slide the motor out.
8	Relay-DPDT 20 Amp	Remove the wires from both relays and remove the 2 screws holding the relays.
9	PCB- Rectifier Board	Remove the wires from the boards and pull the board out. Remove all wire harnesses and thermistor probes.
10	Channel-Control	Remove the 4 screws holding the channel to the front panel.
11	Cover Control Box	Remove all screws and remove the cover.
12	Control- A.	Cut all wires routed to the control box and unbolt the control box from the frame. Remove all components in the control box and dispose of them in the appropriate facility.
13	Motor - Reducer	Remove the 3 allen screws and remove the motor. (Remove the gear oil before disposal.)
14,15	Belts/ Pulleys	Remove belts and pulleys from both gear reducers.
16	Gear Reducer (qty. 2)	Remove the 4 bolts holding the gear to the shell (Remove the gear oil from the gear before disposal.) Repeat for both sides.
17	Motors	Remove the 4 bolts holding the motor to the motor bracket.
18	Cabinet A. ULT Syrup	Remove the cabinet by taking all Torx screws fastened to the frame
19	Panel-Syrup	Remove the 4 screws holding the panel to the frame.
20	Pump-Syrups	Unplug all 4-wire connections at all 4 motors and remove screws holding plate to frame.
21	PCB-Pyro	Remove all 6 screws for the cover and remove the sensor and board.
22	Box Splice	Remove the wires and block and the 2 screws holding the box to the frame.
23	Compressor	Remove the copper and the 4 bolts to the frame. (Remove oil from compressor before disposal.)
24	Compressor	Remove the copper and the 4 bolts to the frame. (Remove oil from compressor before disposal.)
25	Shroud-Front	Remove all the panels surrounding the blower and condensers by removing the self-tapping screws.
26	Shroud-Rear	Remove the 2 bolts holding the condensers to the frame and remove the copper.
27	Condenser ( 2 )	Remove the 2 bolts holding the condensers to the frame and remove the copper.
28	Blower A.	Remove the 4 nuts holding the blower to the frame, and remove the blower.
29	Motor - Agitator	Remove the agitator belts and the 4 screws holding the motor to the shell. Remove the motor.
30	Shell A. Insulated	Remove or cut all copper, wires and bolts connected to the shell.
31	Tank - Glycol	Cut hose off tank and remove the 2 torx screws.
32	Heater A. Glycol	Cut the hoses off and remove the wires from the solenoids. Remove the 4 screws to the frame.
33	Pump - Glycol	Remove the pump from the heater by removing the 4 nuts.
*	Copper & Wires	Remove all copper tubing and wires and dispose at the appropriate facility.

# Control Assembly



ITEM	PART NUMBER	DESCRIPTION
1	X53453	PCB A.-INTERFACE-HT-SS-UK
2	X46904	PCB A.-PERSONALITY HT SS
3	X59076	PCB A.-INTERFACE-HT-SH
4	X59072	PCB A.-PERSONALITY
5	X59210	PCB A.-CONTROL UVC3SM
6	056530	CONTROL-SPEED-MOTOR
7	053072	TRANS.-CONT.-40VA 208/240V
8	054703-03	RELAY-DPDT-24VAC-30A@277V
9	032607-27	RELAY-SPST-30 A-240 V
10	042007-34	RELAY-MTR START TI#4CR-2-645
11	037251-34	CAPACITOR-START 47-56UF/220T
12	035342-27	CAPACITOR-RUN 3UF/550V
13	039482	CAPACITOR-RUN .8UF/400V
14	041950-33J	STARTER-3 PHASE-3 TO 5 AMP
15	012725-33	RELAY-3 POLE-20A-208/240
16	039423	BLOCK-TERMINAL 3P .25 SPADE
17	057201	BLOCK-TERMINAL 3P .25 SPADE
18	024156	BLOCK-TERMINAL 7P GREEN
19	054834	TRANS.-CONT.-32VA 120/200/24
20	056425-	HARNESS-WIRE