

**ELECTRONIC DISTRIBUTION ONLY**  
SEE YOUR LOCAL DISTRIBUTOR FOR A PRINTED COPY  
OF THIS MATERIAL AND ADDITIONAL INFORMATION.

# Flavor Burst® Multi-Flavor Soft Serve Systems

## FB 80LPa

The FB 80LPa model is a 4-flavor Flavor Burst system that works with your existing freezer to expand your soft serve menu with a wide variety of flavors. You can even combine flavors within each serving for even more colorful, great-tasting product. Just select up to four flavors from the keypad and draw your serving to create mouth-watering treats in seconds! The new, compact cabinet and sanitizer tank conveniently fit inside many freezer cabinets for easy access and storage.

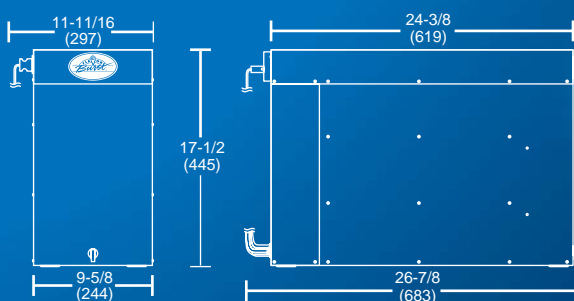
With new cabinet design options, eye-catching products, and tongue-tantalizing flavors, Flavor Burst® is a great fit for your business!



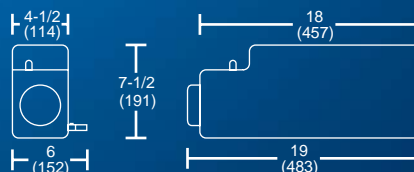
Model: FB 80LPa		
<b>Boxed Dimensions</b>	<b>in.</b>	<b>mm.</b>
Width	12	305
Depth	35	889
Height	34.5	876
Total Cubic	8.39 cu. ft.	.24 cu. m.
<b>Weights</b>	<b>lbs.</b>	<b>kgs.</b>
Total Net	75	34.0
Total Crated	90	40.8
<b>Electrical</b>	<b>Min. Circuit Amp Draw</b>	
115v 50/60Hz	1	
230v 50/60Hz	1/2	

### Cabinet

NOTE: FIGURES IN PARENTHESES INDICATE MILLIMETERS



### Sanitizer Tank



Flavor Burst Company  
www.flavorburst.com  
1-800-264-3528

