


**CROWN®**  
*Jewel* OF COOKING


# L822

## Electric Two-Sided Grill

### Features

One touch menu selection automatically provides accurate TIME, TEMPERATURE, and GAP settings for every product.

### Programmable Controls

Microprocessor controls are programmable for simplified operator operation. Offers flexibility for future menu items and product specification changes at the restaurant level.

### External USB Port

External USB port allows user access to upload new menu and promotional items. Menu changes can be sent electronically to other store locations saving time and eliminating operator error.

### Upper Platens

Upper platen will close automatically to the preset gap setting with the touch of one button. Air cylinder system provides quiet, simple, trouble-free operation of the upper platen. As a safety feature, platen will automatically open at loss of power, or if an obstruction is detected.

### Precise Automatic Gapping

Solid platform with 3-point reference plane and fixed (home) reference point. Once programmed, the upper platen automatically achieves accurate and consistent gaps, every time. Precise, repeatable gapping assures product safety and better quality finished product.

### Cooking Zones

Two separately controlled cooking zones. Each zone has three independent heating elements, and two in the upper platen to assure even temperatures and quick recovery.

### Side-To-Side Release Material

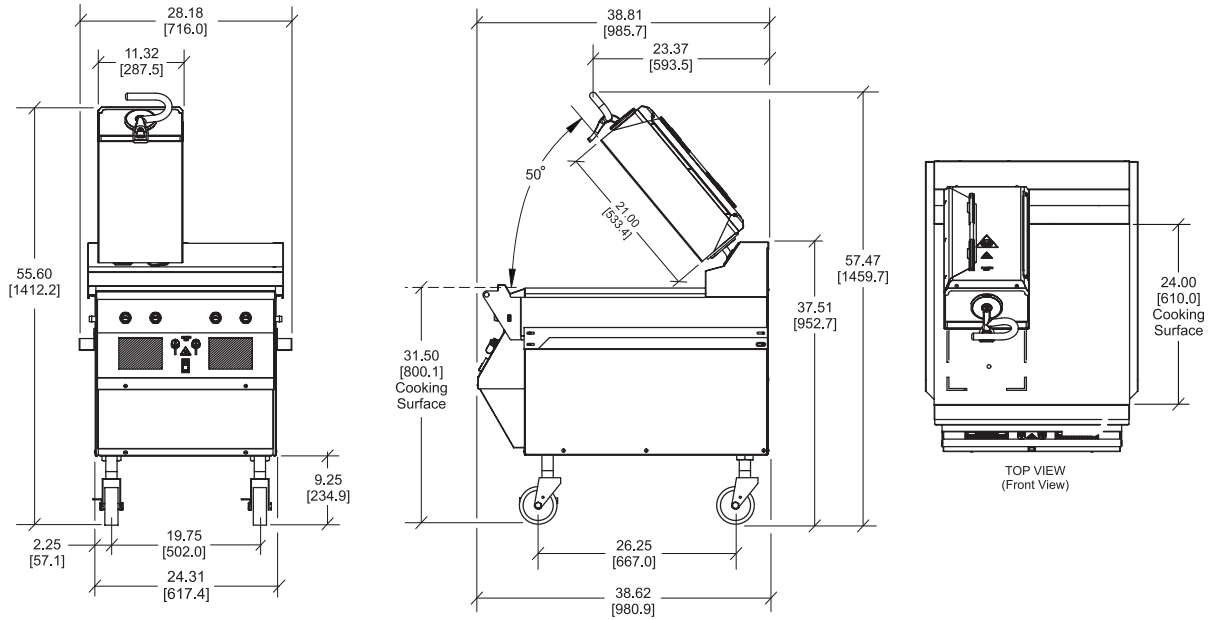
Protects entire upper platen cooking surface and makes cleaning easy. Improved installation and removal process away from hot surfaces.

### Patty Cook Position Placement Guide

Lower cooking surface is etched for a permanent patty placement guide for two-sided cooking.



# L822 Electric Two-Sided Grill



FIGURES IN BRACKETS INDICATE MILLIMETERS / DECIMAL AND FRACTIONAL DIMENSIONS EQUAL TO ( PLUS OR MINUS 1/16 INCH [1.5mm] ). MACHINE HEIGHT CAN VARY ( PLUS OR MINUS 2.5 INCHES [63.5 MM] ) WITH CASTER HEIGHT ADJUSTMENT / SIDE GREASE CANS NOT SHOWN.

Weights	lbs.	kgs.
Net	573	259.9
Crated	654	296.6
	cu. ft.	cu. m.
Volume	39.0	1.11

Dimensions	in.	mm.
Width	28-3/16	716
Depth	38-13/16	986
Height	55 to 60	1397 to 1524
Cooking Surface Height	29 to 34	737 to 864
Floor Clearance	6-3/4 to 11-3/4	172 to 299

Casters may be adjusted.

Electrical	Amps	Cord Supplied with NEMA Plug
208/60/3	43	NEMA15-60P
400/50/3N~	25 (1)	**

This unit may be manufactured in other electrical characteristics. Refer to the local Taylor Distributor for availability. (For exact electrical information, always refer to the data label of the unit.)

\*\* Plug supplied by customer

## Specifications

### Electrical

One dedicated electrical connection is required. See the Electrical chart for the proper electrical requirements. Manufactured to be permanently connected. Consult your local Taylor distributor for receptacle specifications as local codes allow.

### Accessories

- Cleaner (1qt)
- Grease cans (two, mount on each side)
- Release sheets; includes clips and retainer (one box of 9)
- Squeegee (one)

### Options

- Cleaning Pads (10 qty.)
- Cleaning Pad Holder
- Gap Gage (0.255)
- Grill Scraper
- Tool Holder

### Bidding Specs

Electrical: Volt \_\_\_\_\_ Hz \_\_\_\_\_ ph \_\_\_\_\_  
 Neutral: Yes No **Cooling:** Air Water NA

Options: \_\_\_\_\_

**Continuing research results in steady improvements; therefore, these specifications are subject to change without notice.**



**Taylor Company,**  
 Rockton, Illinois 61072  
 815-624-8333 **800-255-0626** Fax 815-624-8000  
[www.taylor-company.com](http://www.taylor-company.com)