

**Model 430 Torque**

# **Shake/Slush Freezer**

**Original Operating Instructions**

051430-M



3/97 (Original Publication)  
(Updated 7/3/12)

**Complete this page for quick reference when service is required:**

Taylor Distributor: \_\_\_\_\_

Address: \_\_\_\_\_

Phone: \_\_\_\_\_

Service: \_\_\_\_\_

Parts: \_\_\_\_\_

Date of Installation: \_\_\_\_\_

**Information found on data plate:**

Model Number: \_\_\_\_\_

Serial Number: \_\_\_\_\_

Electrical Specs: Voltage \_\_\_\_\_ Cycle \_\_\_\_\_

Phase \_\_\_\_\_

Maximum Fuse Size: \_\_\_\_\_ Amps

Minimum Wire Ampacity: \_\_\_\_\_ Amps

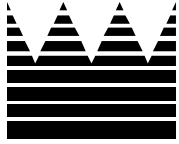
Part Number: \_\_\_\_\_

© March, 1997 Taylor  
All rights reserved.  
051430-M



*The word Taylor and the Crown design  
are registered trademarks in the United States  
of America and certain other countries.*

Taylor Company  
750 N. Blackhawk Blvd.  
Rockton, IL 61072



# Table of Contents

---

<b>Section 1</b>	<b>To the Installer</b> .....	1
	Installer Safety .....	1
	Site Preparation .....	1
	Air Cooled Units .....	2
	Electrical Connections .....	2
	Beater Rotation .....	3
	Refrigerant .....	3
<b>Section 2</b>	<b>To the Operator</b> .....	4
<b>Section 3</b>	<b>Safety</b> .....	5
<b>Section 4</b>	<b>Operator Parts Identification</b> .....	7
<b>Section 5</b>	<b>Important: To the Operator</b> .....	10
	Viscosity Adjustment .....	10
	Power Switch .....	10
	Reset Button .....	10
	Indicator Light - “Mix Low” .....	10
	Indicator Light - “Mix Out” .....	10
<b>Section 6</b>	<b>Operating Procedures</b> .....	11
	Assembly .....	11
	Sanitizing .....	14
	Priming .....	15
	Closing Procedure .....	16
	Draining Product From The Freezing Cylinder .....	16
	Rinsing .....	16
	Cleaning .....	17
	Disassembly .....	17
	Brush Cleaning .....	17

<b>Section 7</b>	<b>Important: Operator Checklist</b> .....	18
	During Cleaning and Sanitizing: .....	18
	Troubleshooting Bacterial Count: .....	18
	Regular Maintenance Checks: .....	18
	Winter Storage .....	19
<b>Section 8</b>	<b>Troubleshooting Guide</b> .....	20
<b>Section 9</b>	<b>Parts Replacement Schedule</b> .....	22
<b>Section 10</b>	<b>Parts List</b> .....	23
	Wiring Diagrams .....	32

**Note: Continuing research results in steady improvements; therefore, information in this manual is subject to change without notice.**

**Note: Only instructions originating from the factory or its authorized translation representative(s) are considered to be the original set of instructions.**

© March, 1997 Taylor (Original Publication)  
(Updated July, 2012)  
All rights reserved.  
051430-M



*The word Taylor and the Crown design  
are registered trademarks in the United States  
of America and certain other countries.*

Taylor Company  
750 N. Blackhawk Blvd.  
Rockton, IL 61072

# Section 1

# To the Installer

The following are general installation instructions. For complete installation details, please see the check out card.

## Installer Safety



In all areas of the world, equipment should be installed in accordance with existing local codes. Please contact your local authorities if you have any questions.

Care should be taken to ensure that all basic safety practices are followed during the installation and servicing activities related to the installation and service of Taylor equipment.

- Only authorized Taylor service personnel should perform installation and repairs on the equipment.
- Authorized service personnel should consult OSHA Standard 29CFR1910.147 or the applicable code of the local area for the industry standards on lockout/tagout procedures before beginning any installation or repairs.
- Authorized service personnel must ensure that the proper PPE is available and worn when required during installation and service.
- Authorized service personnel must remove all metal jewelry, rings, and watches before working on electrical equipment.



The main power supply(s) to the freezer must be disconnected prior to performing any repairs. Failure to follow this instruction may result in personal injury or death from electrical shock or hazardous moving parts as well as poor performance or damage to the equipment.

**Note: All repairs must be performed by an authorized Taylor Service Technician.**



This unit has many sharp edges that can cause severe injuries.

## Site Preparation

Review the area where the unit will be installed before uncrating the unit. Make sure all possible hazards to the user or the equipment have been addressed.

**For Indoor Use Only:** This unit is designed to operate indoors, under normal ambient temperatures of 70°-75°F (21°-24°C). The freezer has successfully performed in high ambient temperatures of 104° (40°C) at reduced capacities.



This unit must **NOT** be installed in an area where a water jet or hose can be used. **NEVER** use a water jet or hose to rinse or clean the unit. Failure to follow this instruction may result in electrocution.



This unit must be installed on a level surface to avoid the hazard of tipping. Extreme care should be taken in moving this equipment for any reason. Two or more persons are required to safely move this unit. Failure to comply may result in personal injury or equipment damage.

Uncrate the unit and inspect it for damage. Report any damage to your Taylor Distributor.

This piece of equipment is made in the USA and has USA sizes of hardware. All metric conversions are approximate and vary in size.

## Air Cooled Units

**DO NOT** obstruct air intake and discharge openings: Air cooled units require a minimum of 3" (76.2 mm) of clearance around all sides of the freezer to allow for adequate air flow across condenser. Failure to allow adequate clearance can reduce the refrigeration capacity of the freezer and possibly cause permanent damage to the compressor.

## Electrical Connections

This equipment is supplied with a 3-wire cord and grounding type plug, for connection to a single phase, 60 cycle, branch circuit supply. This unit must be plugged into a properly grounded receptacle. The cord and plug provided are 20A for 115/60/1 or 15A for 208-230/60/1; therefore, the wall outlet must also be 20A for 115/60/1 or 15A for 208-230/60/1. Check the data label, located on the side panel, for electrical specifications. Permanent wiring may be employed, if required by local codes. Instructions for conversion to permanent wiring are as follows:

1. Be sure the freezer is electrically disconnected.
2. Remove the appropriate panel and locate the small electrical box at the base of the freezer.
3. Remove the factory installed cord and strain relief bushing.
4. Route incoming permanent wiring through 7/8" (22 mm) hole in base pan.
5. Connect two power supply leads. Attach ground (earth) wire to the grounding lug inside the electrical box.
6. Be sure unit is properly grounded before applying power.

In the United States, this equipment is intended to be installed in accordance with the National Electrical Code (NEC), ANSI/NFPA 70-1987. The purpose of the NEC code is the practical safeguarding of persons and property from hazards arising from the use of electricity. This code contains provisions considered necessary for safety. In all other areas of the world, equipment should be installed in accordance with the existing local codes. Please contact your local authorities.



Each unit requires one power supply for each data label on the unit. Check the data label(s) on the freezer for branch circuit overcurrent protection or fuse, circuit ampacity, and other electrical specifications. Refer to the wiring diagram provided inside of the electrical box for proper power connections.



**CAUTION: THIS EQUIPMENT MUST BE PROPERLY GROUNDED! FAILURE TO DO SO CAN RESULT IN SEVERE PERSONAL INJURY FROM ELECTRICAL SHOCK!**



This unit is provided with an equipotential grounding lug that is to be properly attached to the rear of the frame by the authorized installer. The installation location is marked by the equipotential bonding symbol (5021 of IEC 60417-1) on both the removable panel and the equipment's frame.



- Stationary appliances which are not equipped with a power cord and a plug or another device to disconnect the appliance from the power source must have an all-pole disconnecting device with a contact gap of at least 3 mm installed in the external installation.
- Appliances that are permanently connected to fixed wiring and for which leakage currents may exceed 10 mA, particularly when disconnected, not used for long periods, or during initial installation, shall have protective devices such as a GFI to protect against the leakage of current, installed by authorized personnel to the local codes.
- Supply cords used with this unit shall be oil-resistant, sheathed flexible cable, not lighter than ordinary polychloroprene or other equivalent synthetic elastomer-sheathed cord (Code designation 60245 IEC 57) installed with the proper cord anchorage to relieve conductors from strain, including twisting, at the terminals and protect the insulation of the conductors from abrasion.

## Beater Rotation



Beater rotation must be clockwise as viewed looking into the freezing cylinder.

**Note: The following procedure must be performed by an authorized Taylor service technician.**

To correct rotation on a single-phase unit, change the leads inside the beater motor. (Follow the diagram printed on motor.)

## Refrigerant



In consideration of our environment, Taylor proudly uses only earth friendly HFC refrigerants. The HFC refrigerant used in this unit is R404A. This refrigerant is generally considered non-toxic and non-flammable, with an Ozone Depleting Potential (ODP) of zero (0). However, any gas under pressure is potentially hazardous and must be handled with caution.

NEVER fill any refrigerant cylinder completely with liquid. Filling the cylinder to approximately 80% will allow for normal expansion.



Use only R134a refrigerant that conforms to the AHI standard 700 specification. The use of any other refrigerant may expose users and operators to unexpected safety hazards.



Refrigerant liquid sprayed onto the skin may cause serious damage to tissue. Keep eyes and skin protected. If refrigerant burns should occur, flush immediately with cold water. If burns are severe, apply ice packs and contact a physician immediately.



Taylor reminds technicians to be cautious of government laws regarding refrigerant recovery, recycling, and reclaiming systems. If you have any questions regarding these laws, please contact the factory Service Department.



**WARNING:** R404A refrigerant used in conjunction with polyolester oils is extremely moisture absorbent. When opening a refrigeration system, the maximum time the system is open must not exceed 15 minutes. Cap all open tubing to prevent humid air or water from being absorbed by the oil.

# Section 2

# To the Operator

---

The freezer you have purchased has been carefully engineered and manufactured to give you dependable operation. The Taylor Model 430 Torque, when properly operated and cared for, will produce a consistent quality product. Like all mechanical products, they will require cleaning and maintenance. A minimum amount of care and attention is necessary if the operating procedures outlined in this manual are followed closely.

This Operator's Manual should be read before operating or performing any maintenance on your equipment.

Your Taylor freezer will NOT eventually compensate for and correct any errors during the set-up or filling operations. Thus, the initial assembly and priming procedures are of extreme importance. It is strongly recommended that personnel responsible for the equipment's operation, both assembly and disassembly, sit down together and go through these procedures in order to be properly trained and to make sure that no misunderstandings exist.

In the event you should require technical assistance, please contact your local authorized Taylor Distributor.

**Note:** Warranty is valid only if the parts are authorized Taylor parts, purchased from an authorized Taylor Distributor, and the required service work is provided by an authorized Taylor service technician. Taylor reserves the right to deny warranty claims on equipment or parts if non-approved parts or refrigerant were installed in the machine, system modifications were performed beyond factory recommendations, or it is determined that the failure was caused by neglect or abuse.

**Note: Constant research results in steady improvements; therefore, information in this manual is subject to change without notice.**



If the crossed out wheeled bin symbol is affixed to this product, it signifies that this product is compliant with the EU Directive as well as other similar legislation in effect after August 13, 2005. Therefore, it must be collected separately after its use is completed, and cannot be disposed as unsorted municipal waste.

The user is responsible for returning the product to the appropriate collection facility, as specified by your local code.

For additional information regarding applicable local laws, please contact the municipal facility and/or local distributor.

## Compressor Warranty Disclaimer

The refrigeration compressor(s) on this machine are warranted for the term indicated on the warranty card accompanying this machine. However, due to the Montreal Protocol and the U.S. Clean Air Act Amendments of 1990, many new refrigerants are being tested and developed, thus seeking their way into the service industry. Some of these new refrigerants are being advertised as drop-in replacements for numerous applications. It should be noted that, in the event of ordinary service to this machine's refrigeration system, **only the refrigerant specified on the affixed data label should be used.** The unauthorized use of alternate refrigerants will void your compressor warranty. It will be the owner's responsibility to make this fact known to any technician he employs.

It should also be noted that Taylor does not warrant the refrigerant used in its equipment. For example, if the refrigerant is lost during the course of ordinary service to this machine, Taylor has no obligation to either supply or provide its replacement either at billable or unbillable terms. Taylor does have the obligation to recommend a suitable replacement if the original refrigerant is banned, obsoleted, or no longer available during the five year warranty of the compressor.

Taylor will continue to monitor the industry and test new alternates as they are being developed. Should a new alternate prove, through our testing, that it would be accepted as a drop-in replacement, then the above disclaimer would become null and void. To find out the current status of an alternate refrigerant as it relates to your compressor warranty, call the local Taylor Distributor or the Taylor Factory. Be prepared to provide the Model/Serial Number of the unit in question.



We at Taylor Company are concerned about the safety of the operator when he or she comes in contact with the freezer and its parts. Taylor has gone to extreme efforts to design and manufacture built-in safety features to protect both you and the service technician. As an example, warning labels have been attached to the freezer to further point out safety precautions to the operator.



**IMPORTANT - Failure to adhere to the following safety precautions may result in severe personal injury or death. Failure to comply with these warnings may damage the machine and its components. Component damage will result in part replacement expense and service repair expense.**



**DO NOT** operate the freezer without reading this Operator Manual. Failure to follow this instruction may result in equipment damage, poor freezer performance, health hazards, or personal injury.



Per IEC 60335-1 and its part 2 standards, “This appliance is to be used only by trained personnel. It is not intended for use by children or people with reduced physical, sensory, or mental capabilities, or lack of experience and knowledge, unless given supervision or instruction concerning the use of the appliance by a person responsible for their safety.”



This unit is provided with an equipotential grounding lug that is to be properly attached to the rear of the frame by the authorized installer. The installation location is marked by the equipotential bonding symbol (5021 of IEC 60417-1) on both the removable panel and the equipment’s frame.



**DO NOT** use a water jet to clean or rinse the freezer. Failure to follow these instructions may result in serious electrical shock.



- **DO NOT** operate the freezer unless it is properly grounded.
- **DO NOT** operate the freezer with larger fuses than specified on the freezer data label.
- All repairs must be performed by an authorized Taylor service technician. The main power supplies to the machine must be disconnected prior to performing any repairs.
- Cord Connected Units: Only Taylor authorized service technicians may install a plug on this unit.
- Stationary appliances which are not equipped with a power cord and a plug or another device to disconnect the appliance from the power source must have an all-pole disconnecting device with a contact gap of at least 3 mm installed in the external installation.
- Appliances that are permanently connected to fixed wiring and for which leakage currents may exceed 10 mA, particularly when disconnected, not used for long periods, or during initial installation, shall have protective devices such as a GFI to protect against the leakage of current, installed by authorized personnel to the local codes.
- Supply cords used with this unit shall be oil-resistant, sheathed flexible cable, not lighter than ordinary polychloroprene or other equivalent synthetic elastomer-sheathed cord (Code designation 60245 IEC 57) installed with the proper cord anchorage to relieve conductors from strain, including twisting, at the terminals and protect the insulation of the conductors from abrasion.

Failure to follow these instructions may result in electrocution. Contact your local authorized Taylor Distributor for service.



- **DO NOT** allow untrained personnel to operate this machine.
- **DO NOT** operate the freezer unless all service panels and access doors are restrained with screws.
- **DO NOT** remove any internal operating parts (examples: freezer door, beater, scraper blades, etc.) unless all control switches are in the OFF position.

Failure to follow these instructions may result in severe personal injury to fingers or hands from hazardous moving parts.



This unit has many sharp edges that can cause severe injuries.

- **DO NOT** put objects or fingers in the door spout. This may contaminate the product and cause severe personal injury from blade contact.
- **USE EXTREME CAUTION** when removing the beater assembly. The scraper blades are very sharp.



This freezer must be placed on a level surface. Failure to comply may result in personal injury or equipment damage.



Cleaning and sanitizing schedules are governed by your state or local regulatory agencies and must be followed accordingly. Please refer to the cleaning section of this manual for the proper procedure to clean this unit.

**DO NOT** obstruct air intake and discharge openings:

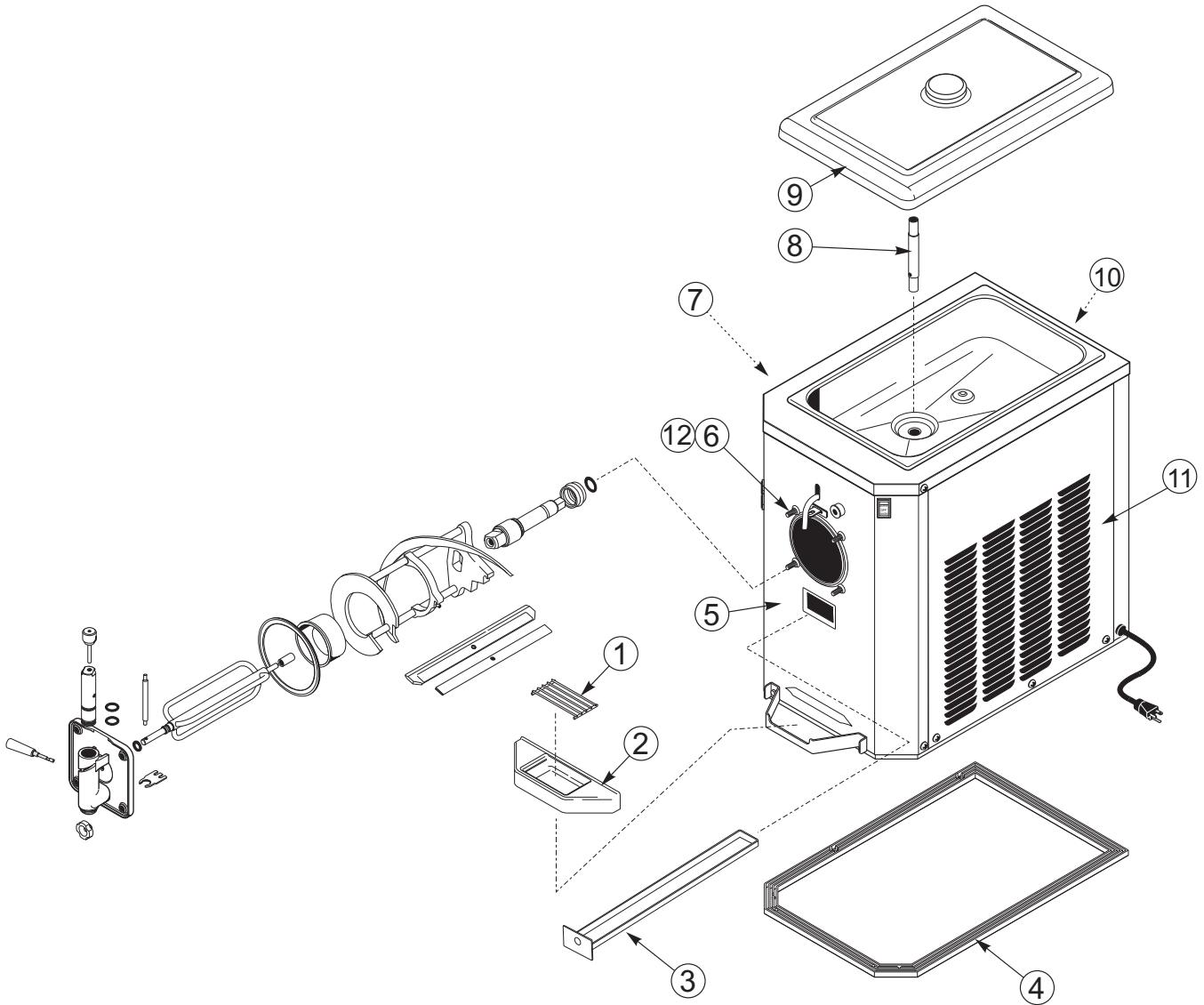
Air cooled units require a minimum of 3" (76.2 mm) of clearance around all sides of the freezer to allow for adequate air flow across condenser. Failure to allow adequate clearance can reduce the refrigeration capacity of the freezer and possibly cause permanent damage to the compressor.

**For Indoor Use Only:** This unit is designed to operate indoors, under normal ambient temperatures of 70° - 75°F (21° - 24°C). The freezer has successfully performed in high ambient temperatures of 104° (40°C) at reduced capacities.

**NOISE LEVEL:** Airborne noise emission does not exceed 78 dB(A) when measured at a distance of 1.0 meter from the surface of the machine and at a height of 1.6 meters from the floor.

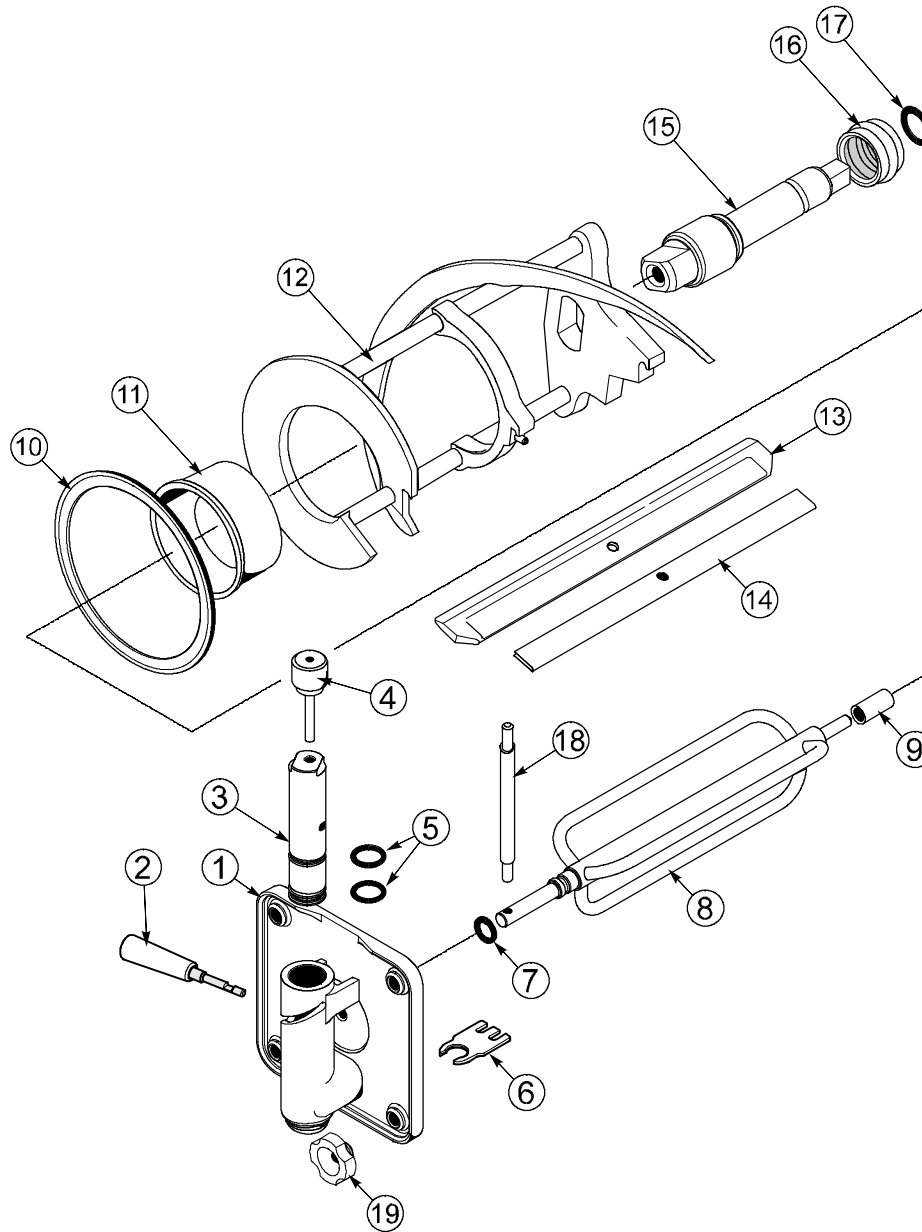
# Section 4

# Operator Parts Identification



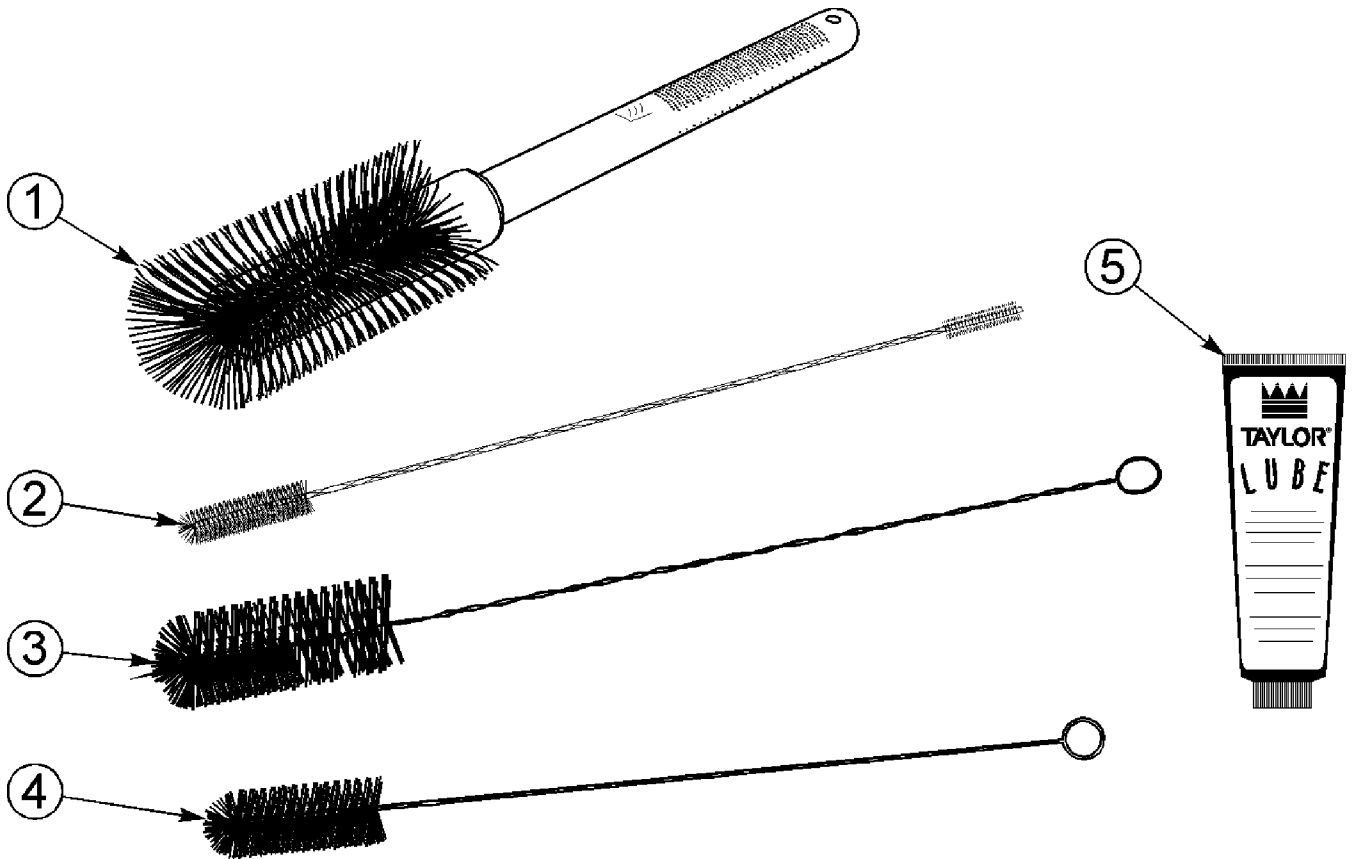
Item	Description	Part Number
1	Shield-Splash	049320
2	Tray-Drip	049319
3	Pan-Drip 17-1/4" Long	027504
4	Gasket-Base Pan	049420
5	Panel A.-Front	X50678
6	Stud-Nose Cone	013496

Item	Description	Part Number
7	Panel-Side Left	049639
8	Tube-Feed 13/32 Hole	025663-10
9	Cover A.-Black Insulated	X49679-BLA
10	Panel-Back	049325
11	Panel-Side Right	049640
12	Washer-Freezer Stud	049032



Item	Description	Part Number
1	Door A.-Partial-Prime	X50403-SER
2	Handle A.-Draw	X47384
3	Valve-Draw	047734
4	Valve A.-Handle Pin	X25929
5	O-Ring - 1" OD x .139 W	032504
6	Buster-Ice	047735
7	O-Ring - .291 ID x .080 W	018550
8	Torque Assembly	X50382
9	Bearing-Guide	014496
10	Gasket-Door 5.109" ID x 5.630	014030

Item	Description	Part Number
11	Bearing-Front	013116
12	Beater A.-4 Qt. 1 Pin Support	X49490
13	Blade-Scraper-Plastic	046237
14	Clip-Scraper Blade	046238
15	Shaft-Beater	035418
16	Seal-Drive Shaft	032560
17	O-Ring 7/8 OD x .139 W	025307
18	Arm-Torque	025660
19	Nut-Stud	029880



Item	Description	Part Number
1	Brush-3" x 7" White	023316
2	Brush-Double Ended	013072
3	Brush-Draw Valve	014753

Item	Description	Part Number
4	Brush-Rear Bearing	013071
5	Lubricant-Taylor	047518
*6	Video-Training M430Torque	050987-V

\*Not Shown.

# Section 5

# Important: To the Operator

## Viscosity Adjustment

The viscosity (thickness) of the slush can be adjusted by turning the viscosity adjustment screw on the upper right side of the front panel. Turn the viscosity adjustment screw clockwise for a thicker product, or counterclockwise for a thinner product. After making an adjustment, allow the refrigeration system to cycle 2 or 3 times to accurately evaluate the viscosity.

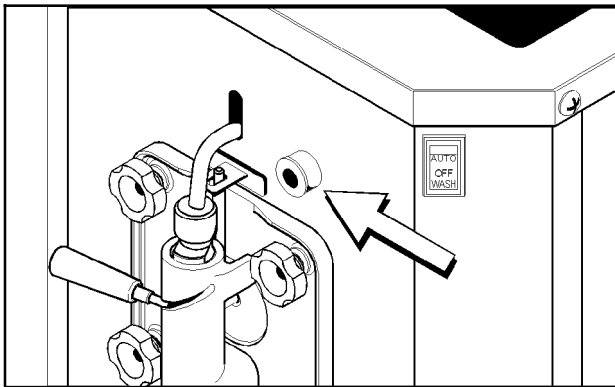


Figure 1

## Power Switch

The center position is “OFF”. The “up” position is “AUTO”, which activates the beater motor and the refrigeration system. The “down” position is “WASH”, which activates the beater motor only.

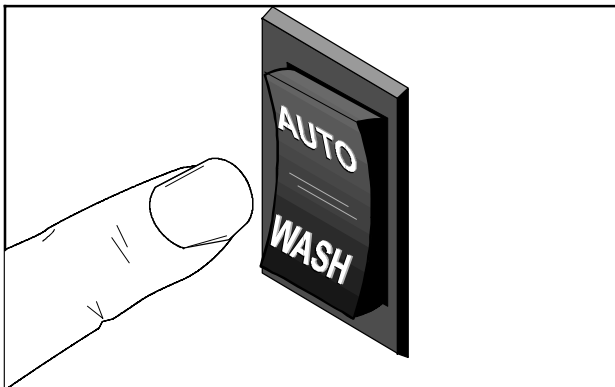


Figure 2

## Reset Button

The reset button is located in the rear panel. The reset protects the beater motor from an overload condition. If an overload occurs, the reset mechanism will trip. To properly reset the freezer, place the power switch in the “OFF” position. Press the reset button firmly. Place the power switch in the “WASH” position and observe the freezer’s performance. Once satisfied, place the control switch in the “AUTO” position.

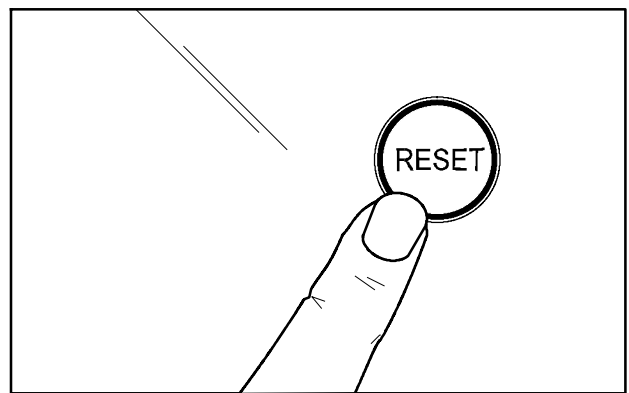


Figure 3

**IMPORTANT:** Do not use metal objects to press the reset button.

## Indicator Light - “Mix Low”

A mix level indicating light is located on the front of the machine. When the light is flashing, it indicates that the mix hopper has a low supply of product and should be refilled as soon as possible.

## Indicator Light - “Mix Out”

A mix out indicating light is located on the front of the machine. When the light is flashing, it indicates that the hopper is empty and the mix supply needs replenishing. To prevent damage to the unit, refrigeration discontinues automatically when the mix out indicator lights.

# Section 6

# Operating Procedures

The Model 430 freezer is designed to produce shake or slush product at the desired thickness. This unit has a 4 quart freezing cylinder.

We begin our instructions at the point where we enter the store in the morning and find the parts disassembled and laid out to air dry from the previous night's brush cleaning.

These opening procedures will show you how to assemble these parts into the freezer, sanitize them, and prime the freezer with fresh mix in preparation to serve your first portion.

If you are disassembling the machine for the first time or need information to get to this point in our instructions, turn to page 17, "Disassembly", and start there.

## Assembly

**Note:** When lubricating parts, use an approved food grade lubricant (example: Taylor Lube).

### Step 1

Lubricate both grooves on the drive shaft and slide the o-ring in place. Lubricate the o-ring and shaft portion that comes in contact with the bearing. **DO NOT** lubricate the square end of the drive shaft. Lubricate the boot seal groove and slide the boot seal over the shaft and groove until it snaps into place. Fill the inside portion of the seal with 1/4" more lubricant and evenly lubricate the end of the seal that fits onto the rear shell bearing. Install the drive shaft.

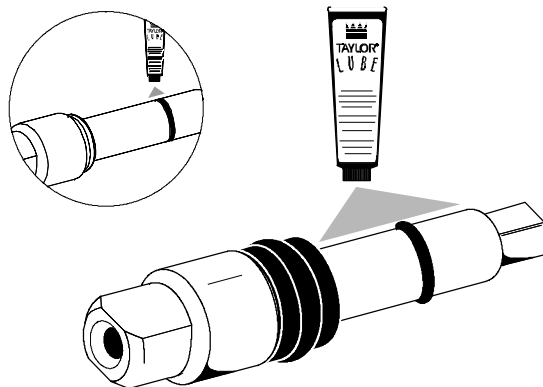


Figure 4

**Note:** Do not install the boot seal inside out.

Insert the beater drive shaft into the rear shell bearing and engage the square end firmly into the female socket of the drive unit. Be certain that the drive shaft fits into the drive coupling without binding.

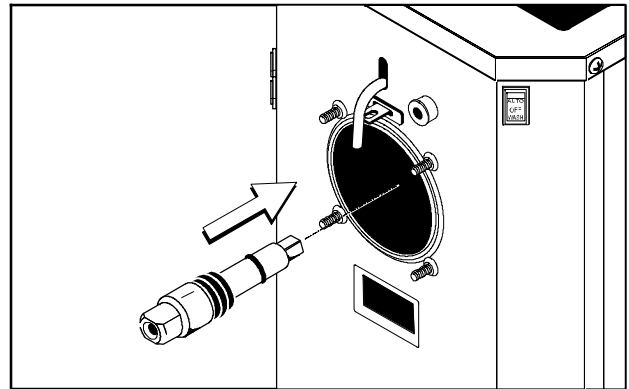


Figure 5

### Step 2

Install the beater assembly. First check the scraper blade for any nicks or signs of wear. If any nicks are present, replace the blade. If the blade is in good condition, place the clip over the blade and install the blade and clip on the beater assembly. Be sure the holes in the blade and the clip are securely positioned over the beater pin.

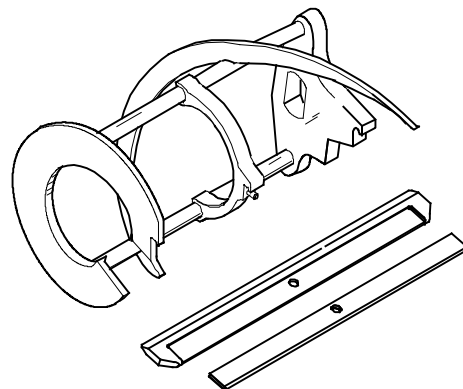


Figure 6

Holding the beater securely, slide the beater into the freezing cylinder and align the hole at the rear of the beater with the flats on the end of the drive shaft.

Slide the beater the remainder of the way into the freezing cylinder and over the end of the drive shaft. The beater assembly will not protrude beyond the front of the freezing cylinder.

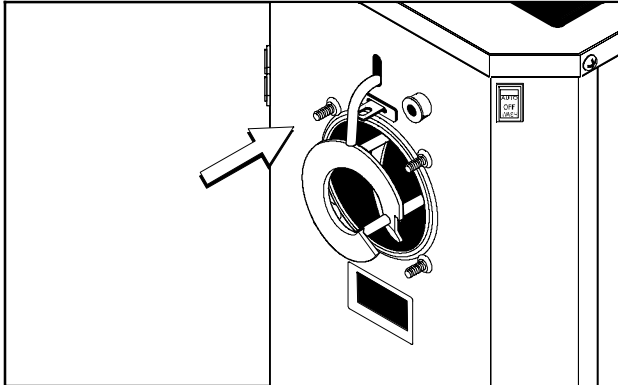


Figure 7

**Step 3**

Install the white plastic guide bearing on the short end of the torque rotor. Slide the o-ring into the groove on the long end of the torque rotor and lubricate the o-ring. Do not lubricate the guide bearing.

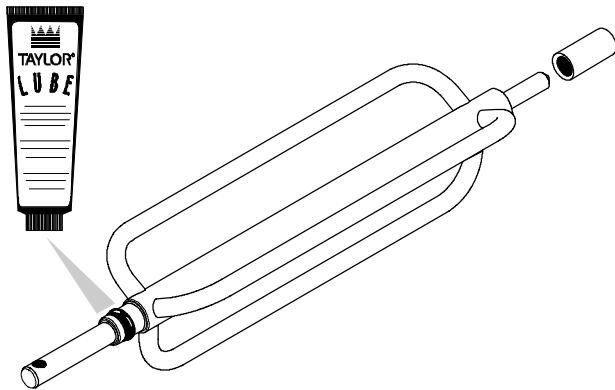


Figure 8

**Step 4**

Insert the torque rotor end with the guide bearing into the pilot hole in the center of the drive shaft. The hole in the torque rotor shaft should be rotated to the 12 o'clock position.

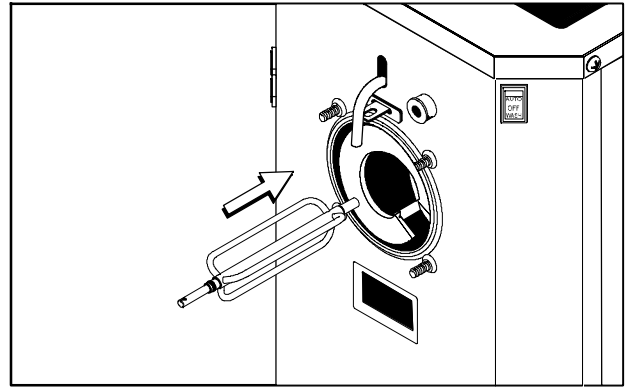


Figure 9

**Step 5**

Assemble the freezer door with the "Ice Buster" (door spout clearing device). To assemble the door with the ice buster, install the o-rings on the draw valve and lubricate.

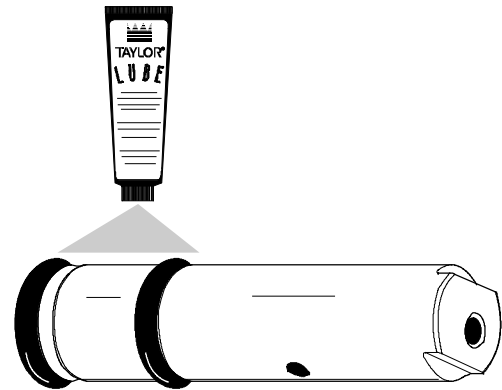


Figure 10

Insert the draw valve into the door, leaving approximately 1/2" of the valve sticking out the top of the door.

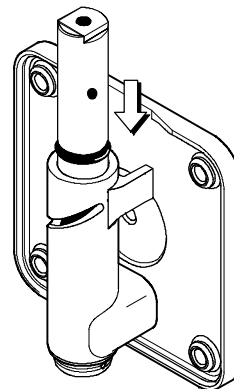


Figure 11



Rotate the draw valve so the flats on the top of the draw valve are perpendicular to the door face.

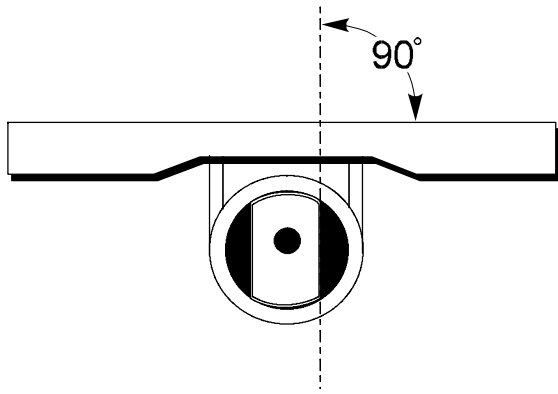


Figure 12

Insert the ice buster through the door spout and into the slot located just above the lower o-ring.

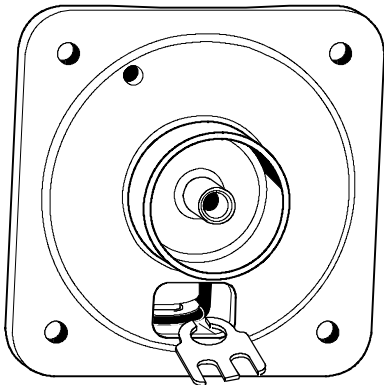


Figure 13

With the ice buster in place, rotate the draw valve to allow installation of the draw handle. This will lock the ice buster in place. Install the draw handle pin, and close the draw valve by moving the handle to the left.

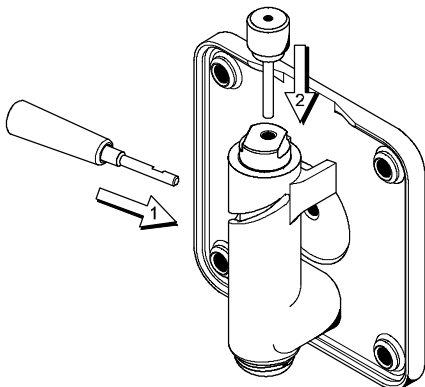


Figure 14

Place the large rubber gasket into the groove on the back side of the freezer door. Slide the white, plastic front bearing onto the bearing hub, making certain that the flanged end of the bearing is resting against the freezer door. **DO NOT** lubricate the door gasket or front bearing.

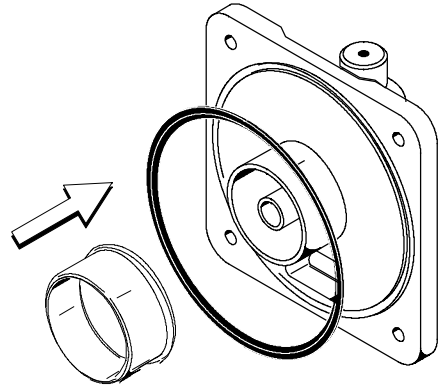


Figure 15

**Step 6**

Position the torque arm by inserting it through the slot in the torque switch arm and down into the hole in the torque rotor which protrudes from the door. Verify proper installation by moving the torque rotor back and forth to be sure it moves freely and easily.

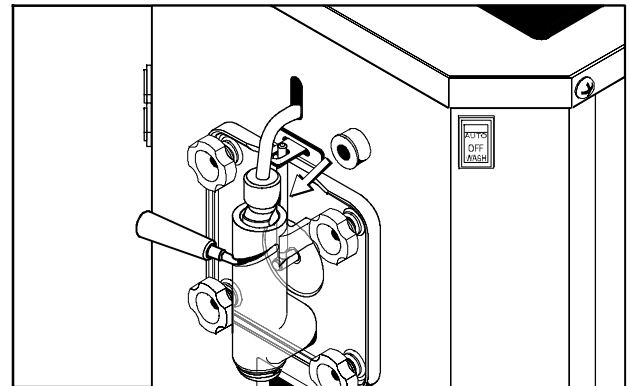


Figure 16

### Step 7

Install the front drip pan. Slide the long drip pan into the hole in the front panel.

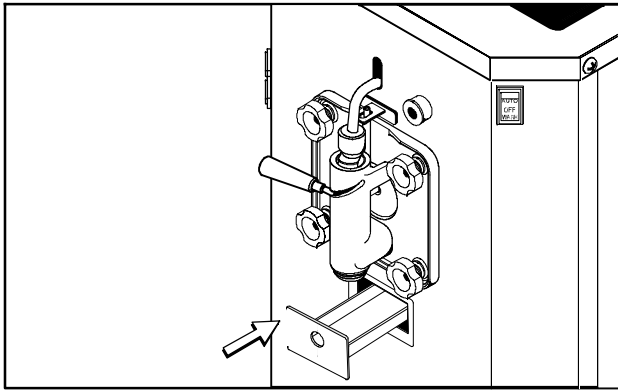


Figure 17

### Step 8

Install the front drip tray and splash shield beneath the door spout.

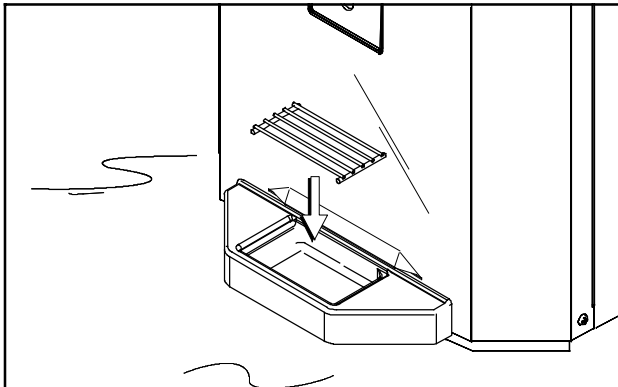


Figure 18

### Step 9

Lay the air/mix feed tube (optional) in the bottom of the mix hopper.

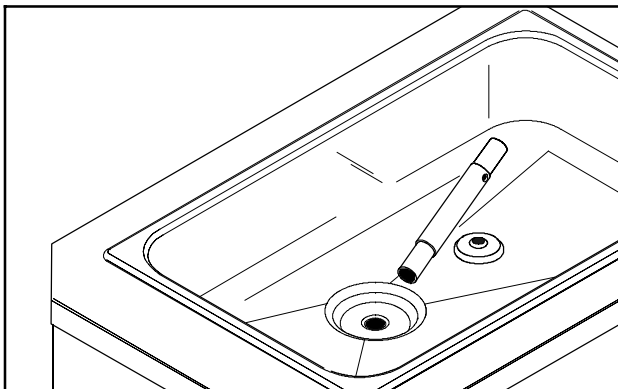


Figure 19

## Sanitizing

### Step 1

Prepare a pail of an approved 100 PPM sanitizing solution (examples: 2-1/2 gal. [9.5 liters] of Kay-5® or 2 gal. [7.6 liters] of Stera-Sheen®). USE WARM WATER AND FOLLOW THE MANUFACTURER'S SPECIFICATIONS.

### Step 2

Pour the sanitizing solution into the hopper and allow it to flow into the freezing cylinder.

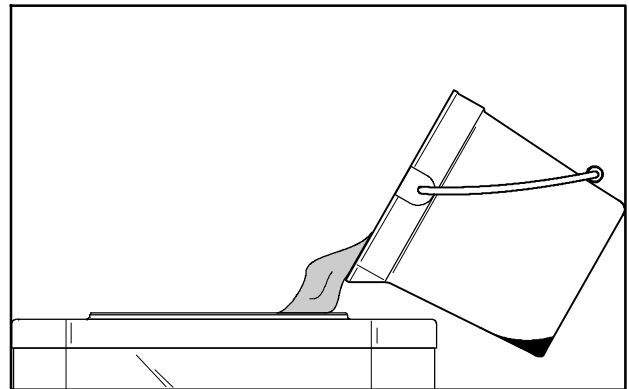


Figure 20

### Step 3

While the solution is flowing into the freezing cylinder, brush clean the mix hopper, air/mix feed tube (optional) and mix inlet hole.

### Step 4

Place the power switch in the "WASH" position. This will agitate the sanitizing solution in the freezing cylinder. Allow the solution to agitate for five minutes.

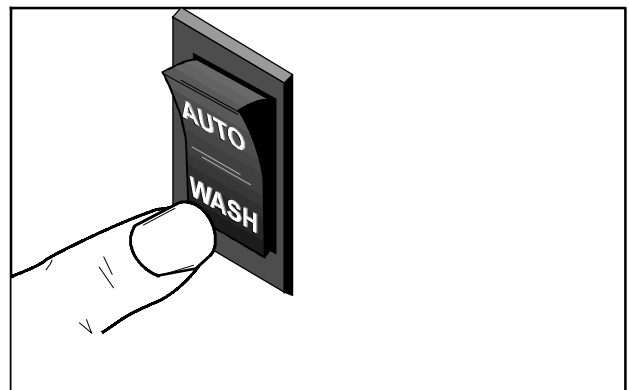


Figure 21

### Step 5

Place an empty mix pail beneath the door spout and move the draw handle to the right. Draw off all the sanitizing solution. When the sanitizer stops flowing from the door spout, move the draw handle to the left and place the control switch in the "OFF" position.

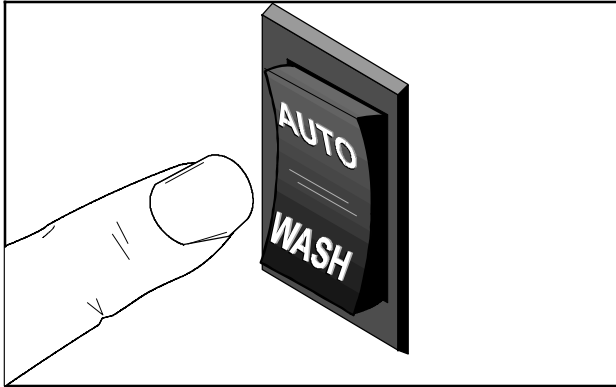


Figure 22

### Step 6

Stand the air/mix feed tube (optional) in the corner of the hopper.

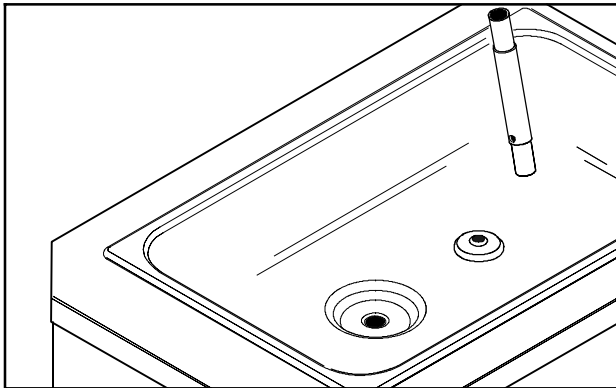


Figure 23

## Priming

### Step 1

With a pail beneath the door spout, move the draw handle to the right. Pour two gallons (7.6 liters) of FRESH mix into the hopper and allow it to flow into the freezing cylinder. This will force out any remaining sanitizing solution. When full strength mix is flowing from the door spout, move the draw handle to the left.

### Step 2

When the mix has stopped bubbling down into the freezing cylinder, install the air/mix feed tube (optional) in the mix inlet hole with the hole side down.

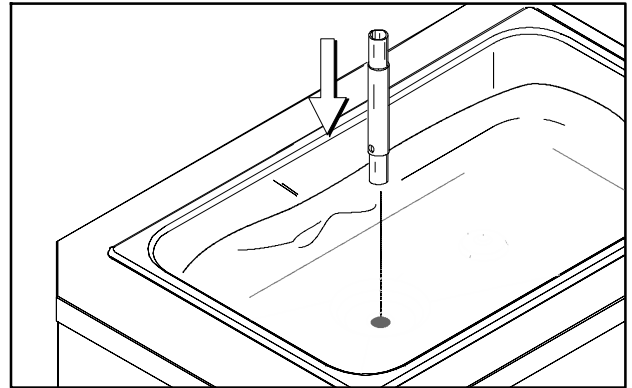


Figure 24

### Step 3

Place the power switch in the "AUTO" position. When the unit cycles off, the product will be at serving viscosity. The viscosity (thickness) of the slush can be adjusted by turning the viscosity adjustment screw on the upper right of the front panel. Turn the viscosity adjustment screw clockwise for a thicker product, or counterclockwise for a thinner product. After making an adjustment, allow the refrigeration system to cycle 2 or 3 times to accurately evaluate the viscosity.

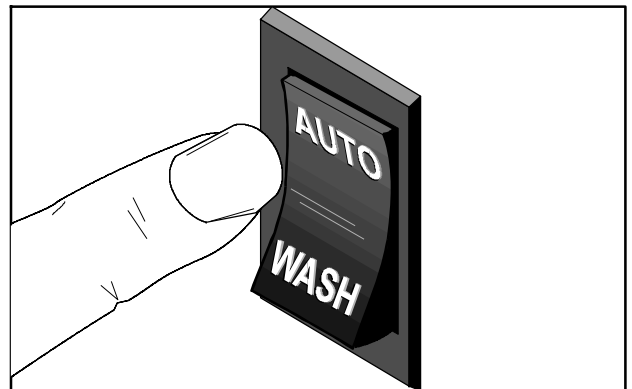


Figure 25

#### Step 4

Place the mix hopper cover in position. Periodically, during the day's operation, check to be sure there is a substantial amount of mix in the hopper.

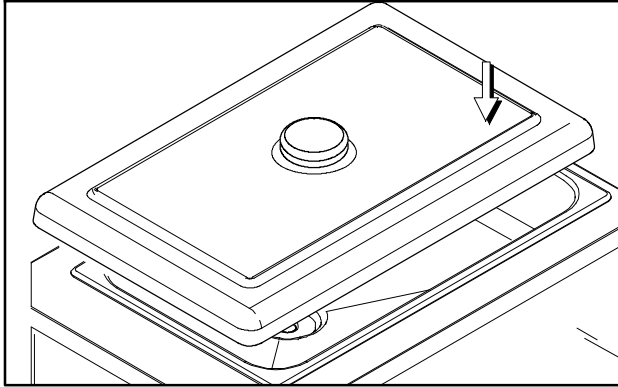


Figure 26

### Closing Procedure

To disassemble this unit, the following items will be needed:

- Two cleaning pails
- Necessary brushes (provided with freezer)
- Cleaner
- Single service towels

### Draining Product From The Freezing Cylinder

#### Step 1

Place the power switch in the "OFF" position as far ahead of cleaning time as possible to allow frozen product to soften for easier cleaning.

#### Step 2

Raise the hopper cover. If the unit is equipped with an air/mix feed tube, take it to the sink for cleaning.

#### Step 3

If local health codes permit the use of rerun, place a sanitized, NSF approved stainless steel rerun container beneath the door spout. Place the power switch in the "WASH" position and move the draw handle to the right. When all the product stops flowing from the door spout, move the draw handle to the left and place the power switch in the "OFF" position. Place the sanitized lid on the rerun container and place it in the walk-in cooler.

**Note: If local health codes DO NOT permit the use of rerun, the product must be discarded.** Follow the instructions in the previous step, except drain the product into a mix pail and properly discard the mix.



### Rinsing

#### Step 1

Pour two gallons (7.6 liters) of cool, clean water into the mix hopper. With the brushes provided, scrub the mix hopper and the mix inlet hole.

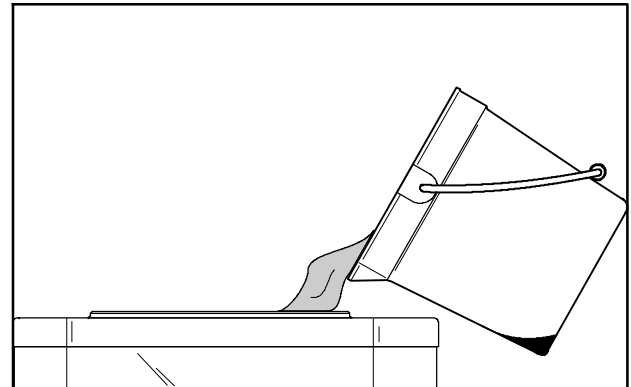


Figure 27

#### Step 2

With a pail beneath the door spout, place the power switch in the "WASH" position and move the draw handle to the right. Drain all the rinse water from the freezing cylinder. When the rinse water stops flowing from the door spout, move the draw handle to the left and place the control switch in the "OFF" position.

Repeat this procedure until the rinse water being drawn from the freezing cylinder is clear.

## Cleaning

### Step 1

Prepare a pail of an approved 100 PPM cleaning solution (examples: 2-1/2 gal. [9.5 liters] of Kay-5® or 2 gal. [7.6 liters] of Stera-Sheen®). USE WARM WATER AND FOLLOW THE MANUFACTURER'S SPECIFICATIONS.

### Step 2

Pour the cleaning solution into the hopper and allow it to flow into the freezing cylinder.

### Step 3

While the solution is flowing into the freezing cylinder, brush-clean the mix hopper and mix inlet hole.

### Step 4

Place the power switch in the "WASH" position. This will agitate the cleaning solution in the freezing cylinder.

### Step 5

Place an empty pail beneath the door spout and move the draw handle to the right. Draw off all the cleaning solution. When the solution stops flowing from the door spout, move the draw handle to the left, and place the power switch in the "OFF" position.

## Disassembly

### Step 1

BE SURE THE CONTROL SWITCH IS IN THE "OFF" POSITION.

### Step 2

Remove the handscrews, freezer door, beater assembly, torque rotor, scraper blade and drive shaft from the freezing cylinder. Take these parts to the sink for cleaning.

### Step 3

Remove the front drip tray and the splash shield. Take these parts to the sink for cleaning.

### Step 4

Remove the rear drip pan from the front panel.

Note: If the drip pan is filled with an excessive amount of mix, it is an indication the drive shaft seal should be replaced or properly lubricated.

## Brush Cleaning

### Step 1

Prepare a sink with a cleaning solution (examples: Kay-5® or Stera-Sheen®). USE WARM WATER AND FOLLOW THE MANUFACTURER'S SPECIFICATIONS. (If another approved cleaner is used, dilute according to label instructions. **IMPORTANT:** Follow the label directions. Too STRONG of a solution can cause parts damage, while too MILD of a solution will not provide adequate cleaning.) Make sure all brushes provided with the freezer are available for brush cleaning.

### Step 2

Remove the o-ring and seal from the drive shaft. Remove the o-ring and the bearing from the torque rotor.

### Step 3

Remove the draw valve, ice buster, front bearing, and gasket from the freezer door. Remove all o-rings.

**Note:** To remove the o-ring, use a single service towel to grasp the o-ring. Apply pressure in an upward direction until the o-ring pops out of its groove. With the other hand, push the top of the o-ring forward until it rolls out of the groove and can be removed easily.

### Step 4

Thoroughly brush-clean all disassembled parts in the cleaning solution, making sure all lubricant and mix film is removed. Place all the cleaned parts on a clean, dry surface to air dry.

### Step 5

Return to the freezer with a small amount of cleaning solution. Brush-clean the rear shell bearing at the back of the freezing cylinder with the black bristle brush.

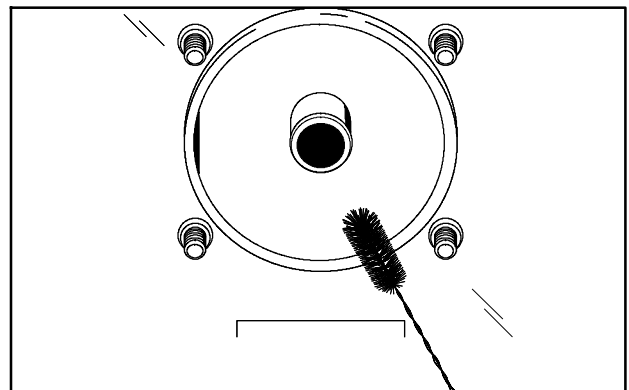


Figure 28

### Step 6

Wipe clean all exterior surfaces of the freezer.

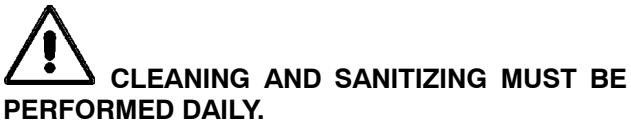
# Section 7      Important: Operator Checklist

---

## During Cleaning and Sanitizing:



Cleaning and sanitizing schedules are governed by federal, state, or local regulatory agencies, and must be followed accordingly. If the unit has a “Standby mode”, it must not be used in lieu of proper cleaning and sanitizing procedures and frequencies set forth by the ruling health authority. The following check points should be stressed during the cleaning and sanitizing operations.



## Troubleshooting Bacterial Count:

- 1. Thoroughly clean and sanitize machine regularly, including complete disassembly and brush cleaning.
- 2. Use all brushes supplied for thorough cleaning. The brushes are specially designed to reach all mix passageways.
- 3. Use the white bristle brush to clean the mix feed tube, which extends from the hopper down to the rear of the freezing cylinder.
- 4. Use the black bristle brush to thoroughly clean the rear shell bearing located at the rear of the freezing cylinder. Be sure to have a generous amount of cleaning solution on the brush.
- 5. IF LOCAL HEALTH CODES PERMIT THE USE OF RERUN, make sure the mix rerun is stored in a sanitized, covered stainless steel container and used the following day. DO NOT prime the machine with rerun. When using rerun, skim off the foam and discard, then mix

the rerun with fresh mix in a ratio of 50/50 during the day’s operation.

- 6. On a designated day of the week, run the mix as low as feasible and discard after closing. This will break the rerun cycle and reduce the possibility of high bacteria and coliform counts.
- 7. Properly prepare the cleaning and sanitizing solutions. Read and follow label directions carefully. Too strong of a solution may damage the parts and too weak of a solution will not do an adequate job of cleaning or sanitizing.
- 8. Temperature of mix in mix hopper and walk-in cooler should be below 40°F. (4.4°C.).

## Regular Maintenance Checks:

- 1. Replace scraper blades that are nicked, damaged or worn down. Before installing beater, be certain the scraper blade is properly attached.
- 2. Check rear shell bearing for signs of wear (excessive mix leakage in drip pan) and be certain it is properly cleaned.
- 3. Using a screwdriver and cloth towel, keep the rear shell bearing and the female square drive socket clean and free of lubricant and mix deposits.
- 4. Dispose of o-rings and seals if they are worn, torn, or fit too loosely, and replace with new ones.
- 5. Follow all lubricating procedures as outlined in “Assembly”.
- 6. Check the condenser(s) for accumulation of dirt and lint. Dirty condensers will reduce the efficiency and capacity of the machine. Condensers should be cleaned **monthly** with a soft brush. **Never** use screwdrivers or other metal probes to clean between the fins.  
**Note:** For machines equipped with an air filter, it will be necessary to vacuum clean the filters on a monthly schedule.

## Winter Storage

If the place of business is to be closed during the winter months, it is important to protect the freezer by following certain precautions, particularly if the building is to be left unheated and subject to freezing conditions. Disconnect the freezer from the main power source to prevent possible electrical damage.

Your local Taylor Distributor can perform this service for you.

Wrap detachable parts of the freezer such as beater, blades, drive shaft, and freezer door, and place in a protected dry place. Rubber trim parts and gaskets can be protected by wrapping with moisture-proof paper. All parts should be thoroughly cleaned of dried mix or lubrication accumulations which attract mice and other vermin.

# Section 8

# Troubleshooting Guide

PROBLEM	PROBABLE CAUSE	REMEDY	PAGE REF.
1. No product being dispensed.	a. Power switch is in the "OFF" position.	a. Place power switch in the "AUTO" position.	15
	b. Improper mixing of product.	b. Carefully follow directions for mixing product.	- - -
	c. Inadequate mix in hopper.	c. Fill hopper with mix.	16
	d. Product frozen-up in freezing cylinder.	d. Adjust viscosity adjustment accordingly.	10
	e. Unit out on reset.	e. Place power switch in the "OFF" position. Press the reset button. Return control switch to "AUTO".	10
	f. Beater assembly is not rotating at all or counterclockwise. Control switch is not in "AUTO".	f. The power switch must be in "AUTO". If beater is rotating counterclockwise, call service technician to correct rotation.	1
	g. Unit is unplugged.	g. Plug in power cord.	- - -
	h. Tripped circuit breaker or blown fuse.	h. Reset circuit breaker or replace fuse.	- - -
2. Unit will not operate in the "AUTO" or "WASH" mode.	a. Unit unplugged at wall receptacle.	a. Plug in power cord.	- - -
	b. Tripped circuit breaker or blown fuse.	b. Reset circuit breaker or replace fuse.	- - -
	c. Unit out on reset.	c. Place the power switch in the "OFF" position. Press the reset button. Return control switch to "AUTO".	10
3. No compressor operation in the "AUTO" mode.	a. Beater motor is out on overload.	a. Place control switch in "OFF" position. Press the reset button. Return control switch to "AUTO".	10
	b. Condenser dirty A/C.	b. Clean condenser monthly.	18
4. Product too thick.	a. Inadequate mix in hopper.	a. Fill hopper with mix.	16
	b. Improper mixing of product.	b. Carefully follow directions for mixing product.	- - -
	c. The viscosity adjustment is set incorrectly.	c. Adjust the viscosity control.	10
	d. The torque arm is not installed.	d. Install the torque arm.	13



<b>PROBLEM</b>	<b>PROBABLE CAUSE</b>	<b>REMEDY</b>	<b>PAGE REF.</b>
5. Product too thin.	a. Missing, incorrectly installed, or bad scraper blade.	a. Install or replace scraper blade.	11
	b. Improper mixing of product.	b. Carefully follow directions for mixing product.	- - -
	c. The viscosity adjustment is set incorrectly.	c. Adjust accordingly.	10
	d. Incorrect beater rotation.	d. Contact service technician.	- - -
	e. Dirty condensers.	e. Clean regularly.	18
6. Scored walls of freezing cylinder.	a. Broken pin on beater assembly.	a. Repair or replace beater assembly.	- - -
	b. Front bearing worn or missing.	b. Replace or install front bearing.	12
7. Excessive leakage into rear drip pan.	a. Improper or inadequate lubrication of drive shaft seal.	a. Use correct lubricant (Taylor Lube) and follow lubrication procedures.	11
	b. Bad or missing seal on drive shaft.	b. Replace seal every 3 months.	22
	c. Worn rear shell bearing.	c. Contact service technician for replacement.	- - -
8. Excessive leakage from door spout.	a. Improper or inadequate lubrication of draw valve o-rings.	a. Use correct lubricant (Taylor Lube) and follow lubrication procedures.	11
	b. Bad or missing o-rings on draw valve.	b. Replace o-rings every 3 months.	22
9. Unable to remove drive shaft.	a. Lubrication on square end of drive shaft.	a. Do not lubricate square end. Contact service technician for replacement.	11
	b. Rounded corners of drive shaft, drive coupling, or both.	b. Contact service technician to replace drive shaft, drive coupling, or both.	- - -

# Section 9                      Parts Replacement Schedule

---

PART DESCRIPTION	EVERY 3 MONTHS	EVERY 6 MONTHS	ANNUALLY	QUANTITIES TO BE REPLACED
Drive Shaft Seal	X			1
Drive Shaft O-Ring	X			1
Scraper Blade	X			1
Freezer Door Gasket	X			1
Front Bearing	X			1
Draw Valve O-Rings	X			2
Black Bristle Brush - 1" x 2"		Inspect & Replace if Necessary	Maximum	1
White Bristle Brush - 1-1/2" x 2"		Inspect & Replace if Necessary	Maximum	1
White Bristle Brush - 3" x 7"		Inspect & Replace if Necessary	Maximum	1

Refer to the Parts List on the next page when ordering the above parts.

# Section 10

# Parts List

DESCRIPTION	PART NUMBER	QTY.	WARR. CLASS	REMARKS	PARTS UPDATE
<b>043012H555 TORQUE - 115V 60HZ 1PH &amp; 043027H555 TORQUE - 208-230V 60HZ 1PH</b>					
ACCUMULATOR-COPPER 2"DIAX10"	068069	1	103		
ARM-TORQUE CONTROL	051325	1	103		
+BUSHING-ARM-TORQUE	049737	1	103		
BEARING-FRONT	013116	1	000		
BEARING-GUIDE	014496	1	000		
BEARING-REAR SHELL *PLASTIC*	032511	1	000		
+GUIDE-DRIP SEAL	028992	1	000		
+NUT-BEARING	028991	1	000		
+WASHER-BEARING LOCK	012864	1	000		
BEATER A-4QT-1 PIN-SUPPORT	X49490	1	103		
+BLADE-SCRAPER-PLASTIC 9-13/16L	046237	1	000		
+CLIP-SCRAPER BLADE*8.75 INCH*	046238	1	103		
BELT-V-4L350	004194	1	000	J7050000/UP (REPLACES 004227)	
BLOCK-TERMINAL-7 POLE GREEN	024156	1	103		
BRUSH-REAR BRG 1IN.DX2IN.LGX14	013071	1	000		
BRUSH-DOUBLE ENDED-PUMP&FEED T	013072	1	000		
BRUSH-DRAW VALVE 1-1/2"OD X 3"	014753	1	000		
BRUSH-MIX PUMP BODY-3"X7"WHITE	023316	1	000		
COMPRESSOR AKA9462ZXA-AK172AT (TECUMSEH)	049302-12	1	512	115V 60HZ 1PH	
+CAPACITOR-RUN- 25UF/370VAC	023739	1	103	115V 60HZ 1PH	
+CAPACITOR-START- 72-88UF/250V	039557-27	1	103	115V 60HZ 1PH	
+RELAY-START-COMPRESSOR	045432-12	1	103	115V 60HZ 1PH	
COMPRESSOR AKA9462ZXD-AK172ET (TECUMSEH)	049302-27	1	512	208-230V 60HZ 1PH	
+CAPACITOR-RUN- 15UF/370V	027087	1	103	208-230V 60HZ 1PH	
+CAPACITOR-START- 72-88UF/330V	039567	1	103	208-230V 60HZ 1PH	
+RELAY-START-COMPRESSOR	048150	1	103	208-230V 60HZ 1PH	
CONDENSER-AC-12LX16HX2.5T3ROW	048935	1	103		
CORD-POWER-125V-NEMA 5-20P-6'L	085093	1	103	115V 60HZ 1PH	

+ Available Separately

DESCRIPTION	PART NUMBER	QTY.	WARR. CLASS	REMARKS	PARTS UPDATE
CORD-POWER-230V 15A PLUG-75"L	025340-27	1	103	208-230V 60HZ 1PH	
COVER A.-BLACK INS.MIX HOPPER	X49679-BLA	1	103		
COVER-HOLE-DRAW HANDLE *430*	050499	1	103		
DECAL-DEC- 430 - TORQUE	050685	1	000		
DECAL-CLEAN INST.-HOPPER	019029	1	000		
DECAL-TROUBLESHOOTING	038374	1	000		
DIAGRAM-WIRING*430*	050367-12	1	000	115V 60HZ 1PH	
DIAGRAM-WIRING*430*TORQUE	050367-27	1	000	208-230V 60HZ 1PH	
DOOR A.-PARTIAL *340-350-450*	X39248-SER	1	103	TORQUE	
+BUSTER-ICE	047735	1	103		
+HANDLE A.-DRAW-SLUSH-BLACK	X47384	1	103		
+PIN A.-VALVE HANDLE	X25929	1	103		
+VALVE-DRAW *SLUSH* ICE BUSTER	047734	1	103		
+O-RING-1"OD X .139W	032504	2	000		
DRYER-FILTER 1/4 X 1/4 SOLDER	048878	1	000		
EYELET-RESET BUTTON	013739	1	000		
FAN-5 BLADE 12" PUSH 22DEG CCW	049009	1	103		
FILTER-CORCOM 2VR1	032567	1	103		
GASKET-BASE PAN *430*	049420	1	000		
+SCREW-10X7/16 UNSL TD HWH	066234	15	000		
GASKET-DOOR 5.109"ID X 5.630OD	014030	1	000		
GASKET-FRONT PANEL	049031	1	000		
GEAR A.*REDUCER 4:92:1 SERV	015985-SER	1	212		
GUIDE A.-DRIP PAN *430*	X49327	1	103		
GUIDE-DRIP SEAL	028992	1	000		
HARNES-WIRE *430*HIGH VOLTAGE	050661	1	103		
HARNES-WIRE *430* LOW VOLTAGE	050662	1	103		
KIT A.-TUNE UP *430*	X39969	1	000		
BEARING-FRONT	013116	1	000		
BEARING-GUIDE	014496	1	000	TORQUE	

+ Available Separately

DESCRIPTION	PART NUMBER	QTY.	WARR. CLASS	REMARKS	PARTS UPDATE
GASKET-DOOR 5.109"ID X 5.630OD	014030	1	000		
O-RING 1"OD X .139W	032504	2	000	DRAW VALVE	
O-RING-.291 ID X .080W	018550	1	000	TORQUE	
O-RING-7/8 OD X .139W	025307	1	000	DRIVE SHAFT	
SEAL-DRIVE SHAFT	032560	1	000	DRIVE SHAFT	
TOOL- O-RING REMOVAL	048260-WHT	1	000		
LABEL-CAUTION-GRD-CIR BRK	039992	1	000		
LABEL-CAUTION-SW-POWER-SYMB	044237	1	000		
LABEL-DOOR-MOVE PART	032749	1	000		
LABEL-WARN-CONDENSER-SHARP	059287	1	000		
LABEL-WARN-COVER	051433	4	000		
LIGHT-MIX OUT-AMBER-RECT.	047142-02	1	103		
LIGHT-AMBER-RECT-12VDC-ADD MIX	052486-02	1	103		
LUBRICANT-TAYLOR 4 OZ.	047518	1	000		
MAN-OPER	051430-M	1	000		
MOTOR-1/4 HP	014477-12	1	212	115V 60HZ 1PH	
MOTOR-1/4 HP	014477-27	1	212	208-230V 60HZ 1PH	
MOTOR-FAN 50 WATT W/GROUND	029770-12	1	103	115V 60HZ 1PH	
MOTOR-FAN 50 WATT	029770-27	1	103	208-230V 60HZ 1PH	
+FAN-5 BLADE 12" PUSH 22DEG CCW	049009	1	103		
NUT-STUD *340-342-344-350-450*	029880	4	103		
PAIL-MIX 6 QT.	023348	1	000		
PAN-DRIP 17-1/4"LONG	027504	1	103		
PANEL A.-FRONT *430* TORQUE	X50678	1	103		
PANEL-REAR	049325	1	103		
PANEL-SIDE LEFT	049639	1	103		
PANEL-SIDE RIGHT	049640	1	103		
PCB A.-CONTROL *430 TORQUE	X50385-SER	1	212		
CHIP-SOFTWARE 430 TORQUE	X40868-SER	1	103		
PCB A.-CONTROL	X50207-SER	1	212	BASE BOARD	

+ Available Separately

DESCRIPTION	PART NUMBER	QTY.	WARR. CLASS	REMARKS	PARTS UPDATE
PROBE A.-MIX LOW	X42077	1	103	MIX LOW	
PROBE A.-MIX OUT-SQUARE HOLE	X41348	1	103	MIX OUT	
+DISC-PROBE *SQ HOLE*	030965	2	103		
+SPACER-PROBE *SQ HOLE*	030966	2	103		
PULLEY-AK27-1/2	016190	1	103	BEATER MOTOR (430-J7050000/UP)	116
PULLEY-AK49	051394	1	103	GEAR (430-J7050000/UP)	116
RELAY-3 POLE 115V	066795-12	1	103	115V 60HZ 1PH	
RELAY-3 POLE-20A-208/240 50/60	066795-33	1	103	208-230V 60HZ 1PH COMP CONTACTOR	
SANITIZER-STERA SHEEN -GREEN	055492	1	000		
SHAFT-BEATER *341-2 RFB*	035418	1	103		
+O-RING-7/8 OD X .139W	025307	1	000		
+SEAL-DRIVE SHAFT	032560	1	000		
SHELL A.-INSULATED*430*LOCKOUT	X52574-SER	1	512		
STUD-NOSE CONE-5/16-18X5/16-18	013496	4	103		
+WASHER-FREEZER STUD *RD30*	049032	4	000		
SHIELD-SPLASH *430*	049320	1	103		
SHROUD-FAN	048877	1	103		
STARTER-1 PHASE 2.5 TO 4 AMP	066794-12H	1	103	115V 60HZ 1PH	
STARTER-1 PHASE 1.6 TO 2.5 AMP	066794-27G	1	103	208-230V 60HZ 1PH	
SWITCH A.-DRAW *430*	X80870	1	103		
ARM A.-DRAW VALVE*430*TORQUE	X50389	1	103		
BRACKET A.-DRAW SWITCH *430*	X50497	1	103		
E-RING 3/16 .335 O.D.	049178	1	000		
PIN-PIVOT	015478	1	103		
PLATE-DRAW SWITCH *452 HT*	043527	1	103		
SWITCH-LEVER-SPDT-10A-125-250V	028889	1	103		
SCREW-4-40X5/8 SLTD ROUND	027219	2	000		
SWITCH A.-TORQUE *430*	X50895-SER	1	103		
ARM-TORQUE SWITCH	051325	1	103		
BRACKET-TORQUE CONTROL	050400	1	103		

+ Available Separately

DESCRIPTION	PART NUMBER	QTY.	WARR. CLASS	REMARKS	PARTS UPDATE
BUSHING A.-TORQUE	X50399-SER	1	103		
BUSHING-ARM-TORQUE	049737	1	103		
BUSHING-PIVOT-TORQUE ARM	049739	1	103		
NUT-PUSH ON-9/16DIA. SHAFT	051288	1	000		
SPRING-TORQUE "WHITE"	050901	1	103		
SWITCH-LEVER-SPDT-1A-125V	062022	1	103		
SWITCH-PRESSURE 440 PSI-SOLDER	048230	1	103		
SWITCH-ROCKER AUTO/WASH	048420	1	103		
+SEAL-PANEL-ROCKER SWITCH	048421	1	000		
TORQUE A. *430*	X50382	1	103		
+O-RING-.291 ID X .080W	018550	1	000		
TRAY-DRIP *430*	049319	1	103		
TUBE-CAPILLARY-9 FEET	051049	1	103		
+TEE-1/4S COPPER	003949	1	103		
TUBE-MIX FEED 13/32" HOLE	025663-10	1	103		
VALVE-ACCESS 1/4FL X 1/4 SOLDER	044404	2	103		
VALVE-ACCESS 1/4FL X 3/8SDR-90	044455	1	103		
VALVE-EPR 1/4S	022665	1	103		
VALVE-EXP-AUTO-1/4S X1/4 FPT	046365	1	103		
+BOOT-VALVE-EXPANSION	050900	1	000		
<b>043027HABK - 208-230V 60HZ 1PH - TORQUE W/PURGE PORT DOOR</b>					
DOOR A.-PARTIAL *430* PRIME	X50403-SER	1	103		
+BUSTER-ICE	047735	1	103		
+HANDLE A.-DRAW-SLUSH-BLACK	X47384	1	103		
+PIN A.-VALVE HANDLE	X25929	1	103		
+PLUG-PRIME*430*STNLS	050405	1	103		
+O-RING-.563 OD X .070W-#013	043758	1	000		
+VALVE-DRAW *SLUSH* ICE BUSTE	047734	1	103		
+O-RING-1"OD X .139W	032504	2	000		

+ Available Separately

DESCRIPTION	PART NUMBER	QTY.	WARR. CLASS	REMARKS	PARTS UPDATE
<b>043027HA55 - 208-230V 60HZ 1PH - MARINE-TORQUE CONTROL</b>					
DIAGRAM-WIRING*430*TORQUE	050367-27M	1	000		
PANEL-REAR *430*	049325-SPN	1	103		
PANEL-SIDE L*430* GENERIC	049639-SPN	1	103		
PANEL-SIDE R*430*	049640-SPN	1	103		
<b>043012H601 - 115V 60HZ 1PH &amp; 043027H601 - 208-230V 60HZ 1PH - STD-TORQUE CTRL-PANEL DEC PANEL DECALS</b>					
CHANNEL-C *430* FLAVOR	050706	1	103		
DECAL-DEC-430-FLAVOR SET	050704	1	103		
PANEL A.-FRONT *430*TORQU	X50678-GEN	1	103		
PANEL-REAR *430* GENERIC	049325-GEN	1	103		
PANEL-SIDE L*430* GENERIC	049639-GEN	1	103		
PANEL-SIDE R*430* GENERIC	049640-GEN	1	103		
<b>043012HACO - 115V 60HZ 1PH - FLAVOR BURST READY</b>					
DECAL-DEC-TAYLOR 430-TORQ	050685-SP	1	000		
JACK A.-FLAVORBURST	X56353	1	103		
PANEL A.-FRONT*430*FLAVOR	X54099	1	103		
SPRING-RETURN-RIGHT-TWIN	038924	1	103		
SWITCH A.-DRAW-FLVBRST *4	X80677	1	103		
ARM A.-DRAW VALVE *430*TORQU	X50389	1	103		
BRACKET A.-SWITCH-DRAW *430*	X50497	1	103		
PIN-PIVOT	015478	1	103		
INSULATOR-ARMITE-2 HOLE-NOTC	027218	1	000		
INSULATOR-ARMITE-2 HOLE-NOTC	027218	1	000		
SCREW-4-40X5/8 SLTD ROUND	027219	4	000		
SWITCH-LEVER-SPDT-10A-125-25	028889	2	103		
SPRING-RETURN-RIGHT-TWIN TWI	038924	1	103		
PLATE-DRAW SWITCH *452 HT*	043527	2	103		
E-RING 3/16 .335 OD 1500-18P	049178	1	000		

+ Available Separately



DESCRIPTION	PART NUMBER	QTY.	WARR. CLASS	REMARKS	PARTS UPDATE
<b>043012H210 - 115V 60HZ 1PH - PANEL SPIN-RIGHT SIDE-HARD SLUSH</b>					
LEG-4" 3/8-16 STUD	036397	4	103		
PANEL A.-FRONT *430*TORQU	X50897	1	103		
PLUG-HOLE 1/4 DIA.	024634	5	000		
SPINNER A.-PANEL W/FILTER	X50276-12	1	103		
MOTOR-SPINNER MODEL 22-115	020101-12	1	103		
DISC-SPINNER	013359	1	103		
SCREW-SPINNER DISC	013360	1	000		
+BRUSH KIT	X66712	1	103		
SWITCH A.-TORQUE *430* SH	X65614	1	103		
ARM-TORQUE CONTROL	051325	1	103		
SPRING-TORQUE*GREEN*	014497	1	103		
SWITCH-LEVER-SPDT-1A-125V	062022	1	103		
<b>50 HZ - W/C - 043040HW55 - 220-240V 50HZ 1PH - ROHS COMPLETE. STD-TORQUE &amp; 043040J555 - 220-240V 50HZ 1PH - STD TORQUE</b>					
BRACKET-VALVE-WATER MOUNT	038777	1	103	220-240V 50HZ 1PH	
CLAMP-HOSE 3/4 ID CONST T	067113	4	000	220-240V 50HZ 1PH	
COMPRESSOR AKA9462ZXC-AK172JT	049302-40	1	512	220-240V 50HZ 1PH - TECUMSEH	
+ CAPACITOR-RUN- 15UF/370V	027087	1	103	220-240V 50HZ 1PH	
+ CAPACITOR-START- 72-88UF/330V	039567	1	103	220-240V 50HZ 1PH	
+ RELAY-START-COMPRESSOR	041064	1	103	220-240V 50HZ 1PH	
CONDENSER-WC-SPIRAL 11-1/2 O	049309	1	103	220-240V 50HZ 1PH	
CORD-1.5MM-3 HAR7 16GA 60DEG	066296-95	1	103	220-240V 50HZ 1PH	
CONTROL-430 TORQUE-ROHS	X64271-SER	1	212	220-240V 50HZ 1PH	
CHIP-SOFTWARE *430* TORQUE CTR	X40868-SER	1	103	220-240V 50HZ 1PH	
DIAGRAM-WIRING*430*TORQUE	050367-40	1	000	220-240V 50HZ 1PH	
HOSE-RUBBER 1/2 ID X 7/8 OD	R50200	5'	000	220-240V 50HZ 1PH	
LABEL-CAUTION-GRD-CORD	032165	1	000	220-240V 50HZ 1PH	
MOTOR-1/4 HP	014477-34	1	212	220-240V 50HZ 1PH	
MOTOR-FAN 50 WATT W/GROUND	029770-27	1	103	220-240V 50HZ 1PH	

+ Available Separately

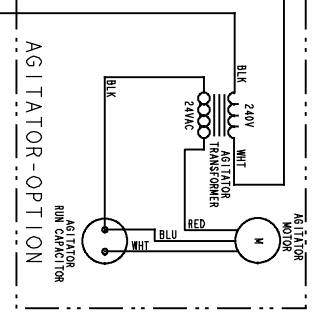
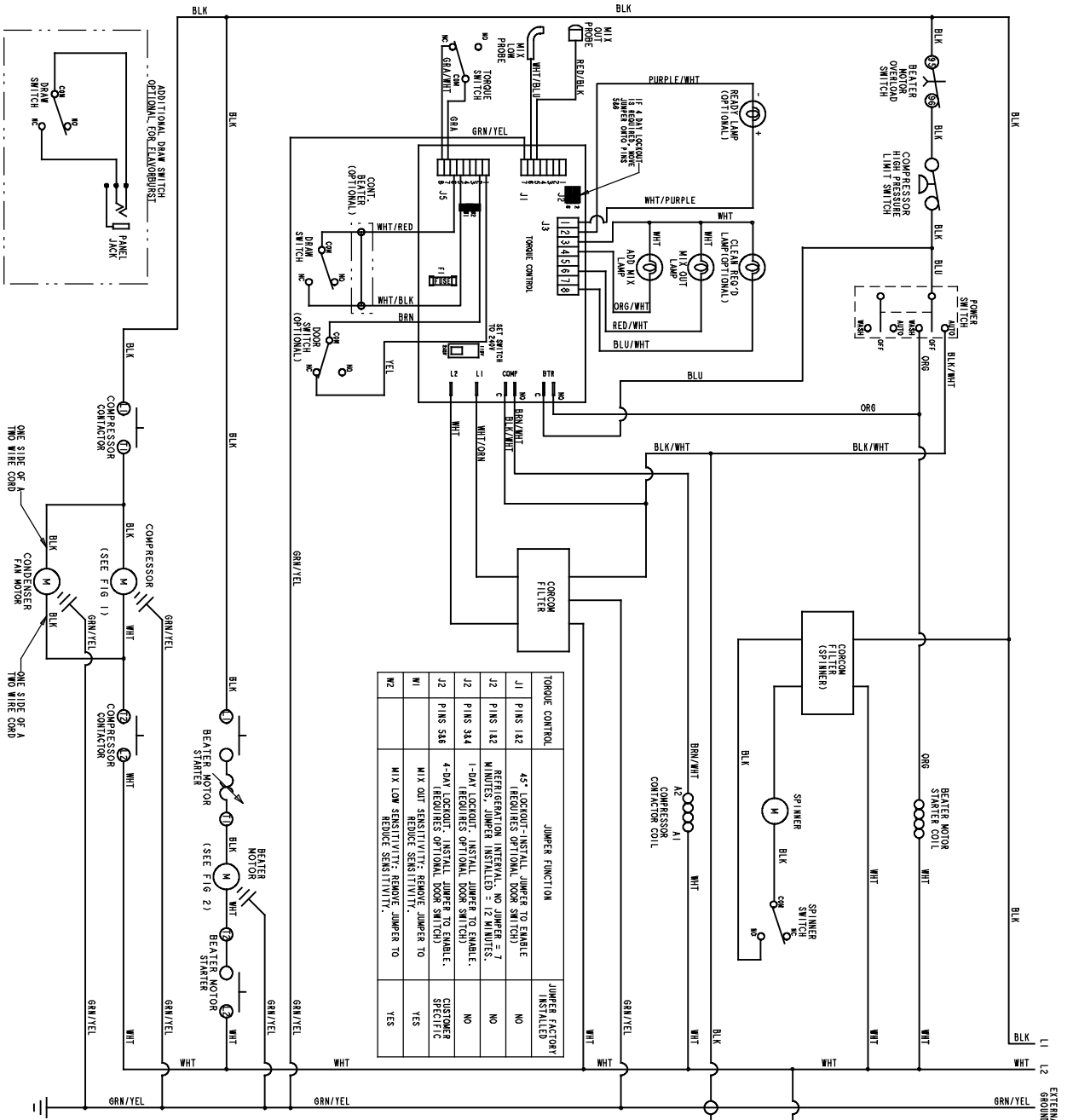
DESCRIPTION	PART NUMBER	QTY.	WARR. CLASS	REMARKS	PARTS UPDATE
+ FAN-5 BLADE 7 " PUSH 30D	016289	1	103	220-240V 50HZ 1PH	
PANEL-BACK *430*	063937	1	103	220-240V 50HZ 1PH	
RELAY-3 POLE-20A-208/240	066795-33	1	103	220-240V 50HZ 1PH	
STARTER-1 PHASE 2.5 TO 4	066794-27H	1	103	220-240V 50HZ 1PH	
SWITCH-PRESSURE 350 PSI-S	048231	1	103	220-240V 50HZ 1PH	
VALVE-WATER 3/8 REG/HEAD	046686	1	103	220-240V 50HZ 1PH	
<b>043012HDDO - 115V 602HZ 1PH - DUNKIN' DONUTS &amp; 043027HDDO - 208-230V 60HZ 1PH</b>					
BELT-V-4L370	004227	1	000		
DOOR A.-PARTIAL *430* PRIME	X50403-SER	1	103		
+BUSTER-ICE	047735	1	103		
+HANDLE A.-DRAW-SLUSH-BLACK	X47384	1	103		
+PIN A.-VALVE HANDLE	X25929	1	103		
+PLUG-PRIME*430*STNLS	050405	1	103		
+O-RING-.563 OD X .070W-#013	043758	1	000		
+VALVE-DRAW *SLUSH* ICE BUSTE	047734	1	103		
+O-RING-1"OD X .139W	032504	2	000		
BEAD-RUBBER	010613-31	1	000		
BLADE-SCRAPER-PLASTIC 9-13/1	046237	5	000		
BRUSH-DBL END-PUMP & FEED TU	013072	1	000		
BRUSH-DRAW VALVE 1-1/2"OD X	014753	1	000		
BRUSH-MIX PUMP BODY-3" X 7"	023316	1	000		
BRUSH-REAR BRG 1"D X 2"LG X	013071	1	000		
BRUSH-SYRUP PORT	045079	1	000		
CUP-SANITIZER-RED-24 OZ	054719	2	000		
DECAL-DEC-DUNKIN DONUTS 4	057872	1	000	208-230V 60HZ 1PH	
DVD-OPS TRAIN VIDEO *0430	050571-DVD	1	000		
KIT A.-TUNE UP*430*TORQUE	X50413	5	000		
LABEL-BLEND 3 TO 5 SECOND	051670	1	000		
LIGHT-AMBER-RECT-CLEAN RE	050283-02	1	103		
LIGHT-GREEN-RECT-READY-LE	052009-02	1	103		

+ Available Separately

DESCRIPTION	PART NUMBER	QTY.	WARR. CLASS	REMARKS	PARTS UPDATE
LUBRICANT-TAYLOR 4 OZ.	047518	1	000		
MAN-OPER 430 DUNKIN DONUT	051430DD	1	000		
PAIL-MIX 10 QT.	013163	1	000		
PAIL-MIX 10 QT.-LABELED	050363	1	000		
PANEL A.-FRONT*430*TORQUE	X51073	1	103		
PULLEY-AK23-1/2	013997	1	103		
PULLEY-AW62-5/8	007538	1	103		
RESISTOR A.-1/4W 5% 150 O	X52421	1	103		
SHIELD-SPLASH *430*	049320	1	103		
SPINNER A.-PANEL W/FILTER*DD	X54396-27	1	103	208-230V 60HZ 1PH	
MOTOR-SPINNER MODEL 22-230	020101-27	1	103	208-230V 60HZ 1PH	
DISC-SPINNER-DDO	053857	1	103		
SCREW-10-32X5/8 SLTD FILLIST	053858	1	000		
SPINNER A.-PANEL W/FILTER*DD	X54396-12	1	103	115V 60HZ 1PH	
MOTOR-SPINNER MODEL 22-115	020101-12	1	103	115V 60HZ 1PH	
DISC-SPINNER-DDO	053857	1	103		
SCREW-10-32X5/8 SLTD FILLIST	053858	1	000		
STANDOFF *340*430*	051153	1	103		
SWITCH A.-TORQUE *430*	X50397-SER	1	103		
ARM-TORQUE CONTROL	051325	1	103		
SPRING-TORQUE*PURPLE*	050455	1	103		
SWITCH-LEVER-SPDT-1A-125V	062022	1	103		
SWITCH-REED MAX .5A-100V	052664	1	103		
THERMOMETER-DIGITAL	050360	1	103		
TRAY-DRIP *430*	049319	1	103		

+ Available Separately





NOTE: ELECTRICAL FAULTS CAN CAUSE DAMAGE TO SOLID STATE ELECTRONICS. ALWAYS GROUND THE MOTOR BY TOUCHING GROUNDING WIRE BEFORE HANDLING SOLID STATE COMPONENTS.

GROUND FRAME SECURELY

