



Item No. _____

RC25

Remote Condensing System

RC25

Features

Provides high capacity refrigeration for frozen beverage dispensing. Either one or two dispensers may be connected to each refrigeration system. Maximum total length of refrigeration suction line is 150 feet (45.7 m).

Refrigeration System

One, approximately 16,000 btu/hr compressor. R404A.
(BTU s may vary based on compressor used.)

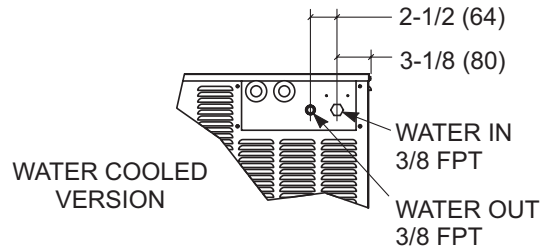
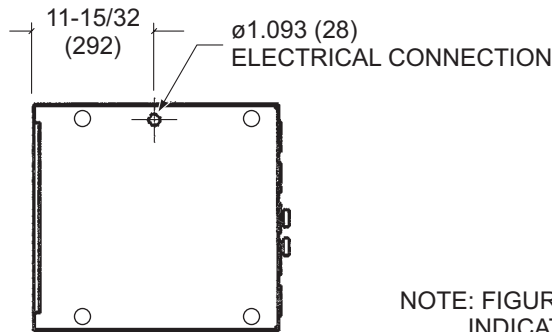
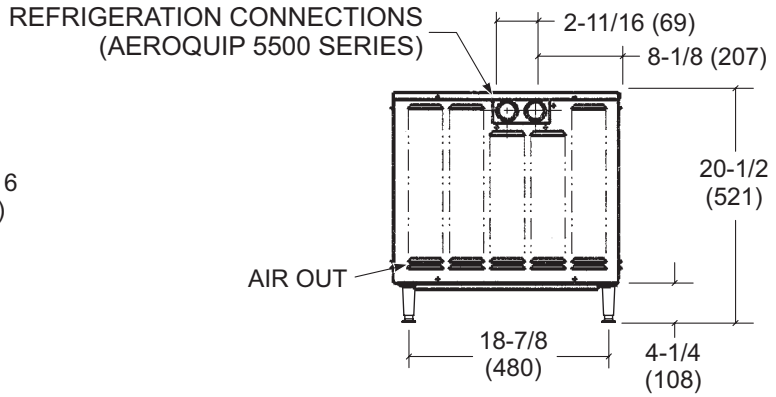
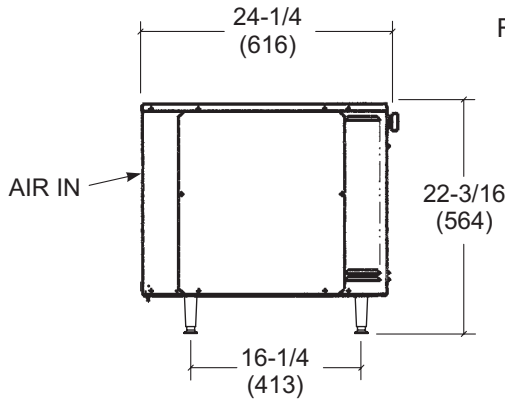


Rockton, Illinois 61072
800-255-0626
Phone 815-624-8333 Fax 815-624-8000
www.taylor-company.com
e-mail: info@taylor-company.com

International Office
Taylor Company S.r.l.
Roma, Italy
Tel: **+39-06-420-12002** Fax: +39-06-420-12034
e-mail: romeoff@taylor-company.com

ISO 9001:2000
Registered Firm

RC25 Remote Condensing System



NOTE: FIGURES IN PARENTHESES INDICATE MILLIMETERS

Weights	lbs.	kgs.
Net	160	72.6
Crated	200	90.7
	cu. ft.	cu. m.
Volume	17.1	.48

Dimensions	in.	mm.
Width	24-27/32	631
Depth	24-1/4	616
Height	22-3/16	564
Floor Clearance	4-1/4	108

*Mounted on standard legs

Electrical	Maximum Fuse Size	Minimum Circuit Ampacity	Poles (P) Wires (W)
208-230/60/1 Air	30	18	2P 3W
208-230/60/1 Water	30	17	2P 3W
208-230/60/3 Air	20	13	3P 4W
208-230/60/3 Water	20	12	3P 4W

This unit may be manufactured in other electrical characteristics. Refer to the local Taylor Distributor for availability. (For exact electrical information, always refer to the data label of the unit.)

Bidding Specs

Electrical: Volt _____ Hz _____ ph _____
 Neutral: Yes No **Cooling:** Air Water NA

Options: _____

Specifications

Electrical

One dedicated connection required. Manufactured to be permanently connected. See the Electrical chart for proper electrical specifications.

Refrigeration Connections

Sealed bulkhead fittings, 5/8" OD on suction (low pressure) side and 3/8" OD on discharge (high pressure) side. (Refrigeration lines are not provided.)

Air Cooled

Minimum Clearance: 3" (76 mm) on three sides, with air deflector installed on condenser side. Minimum air clearances must be met to assure adequate air flow for optimum performance.

Water Cooled

Water inlet and drain connections at rear, 3/8" FPT.

Options

- Outdoor Use (Air Cooled Units Only)

Continuing research results in steady improvements; therefore, these specifications are subject to change without notice.



Taylor Company,
 A division of Carrier Commercial Refrigeration, Inc.
 Rockton, Illinois 61072
 815-624-8333 **800-255-0626** Fax 815-624-8000
www.taylor-company.com

Printed in U.S.A.